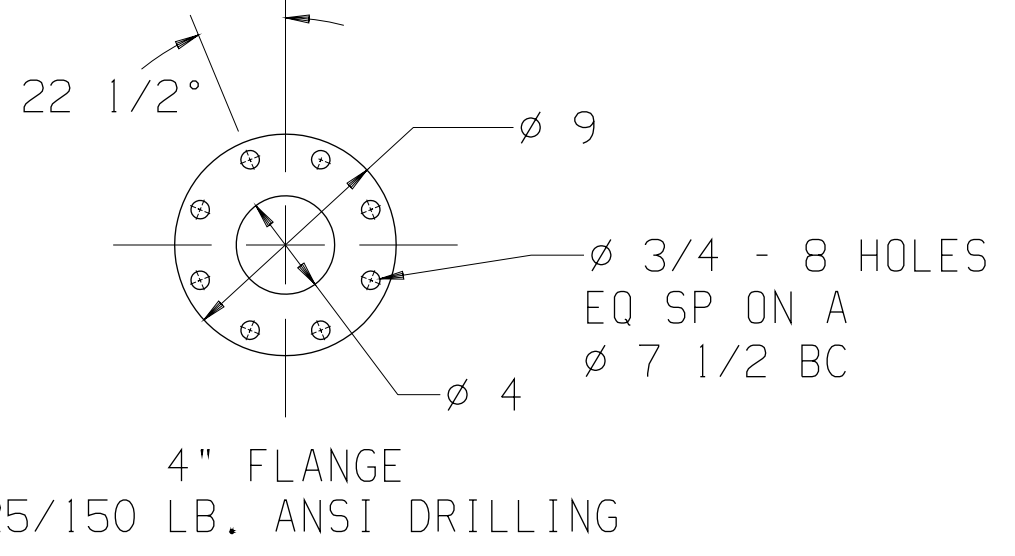
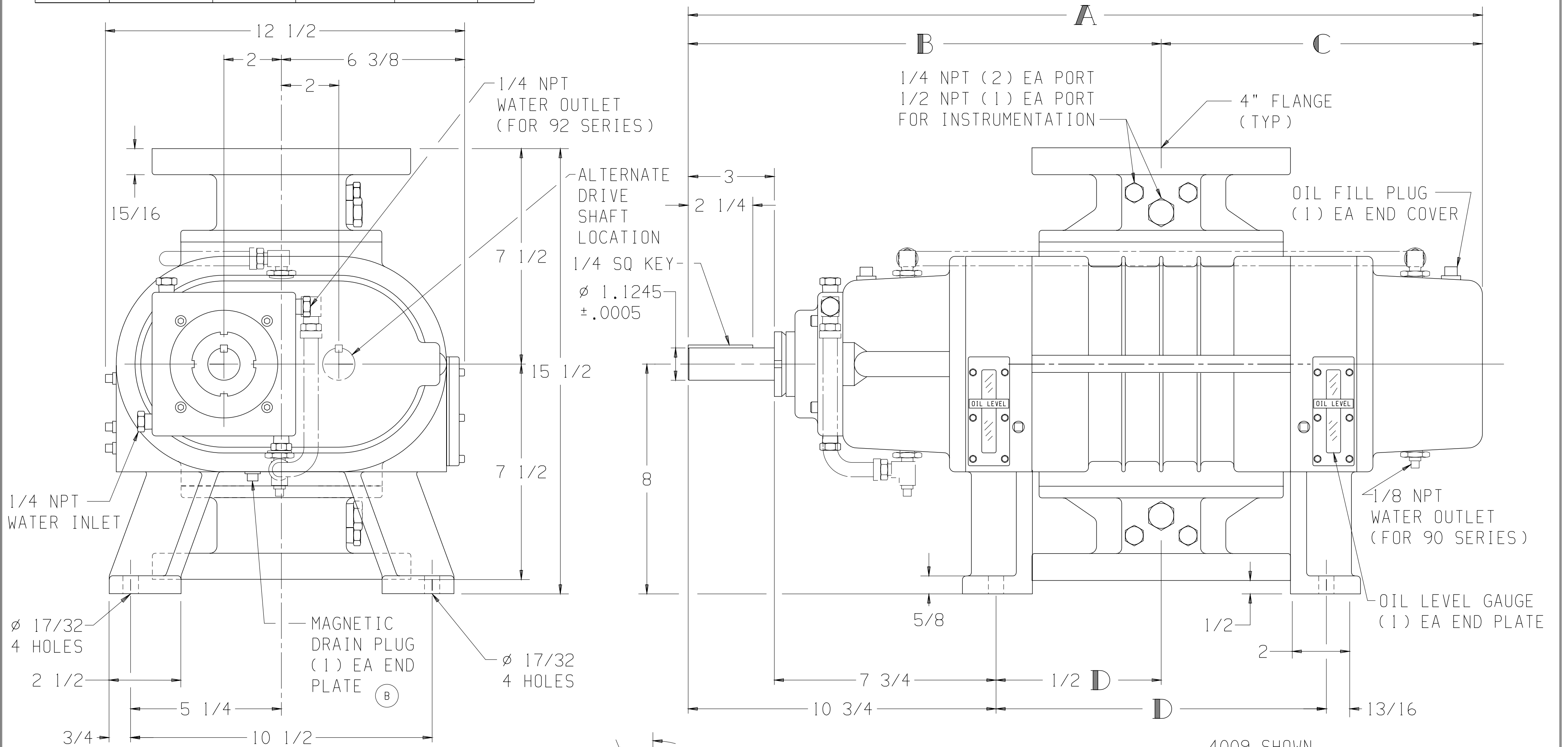


MODEL	A	B	C	D	WT
4009	27 11/16	16 1/2	11 3/16	11 1/2	220
4012	30 11/16	18	12 11/16	14 1/2	245

LTR	REVISION	DATE	DR	CH
A	REVISED PER CTG CHANGES (ECN 4285)	3-8-04	SM	CJ
B	RELOCATED PLUG & DELETED HEX PLUG (ECN 4439)	4-8-05	CM	CM



4009 SHOWN
90 SERIES HAS COOLING FOR DRIVE SHAFT SEAL AND COOLING COILS IN END COVERS.
92 SERIES HAS COOLING FOR DRIVE SHAFT SEAL ONLY.

REFER TO CURRENT MAINTENANCE MANUAL FOR SERVICE INSTRUCTIONS

TUTHILL
Vacuum & Blower Systems
Springfield, Missouri USA

VACUUM BOOSTER OUTLINE

SIZE: C2 4000-90/92

DR LB 1-13-95 CH CM 2-20-95