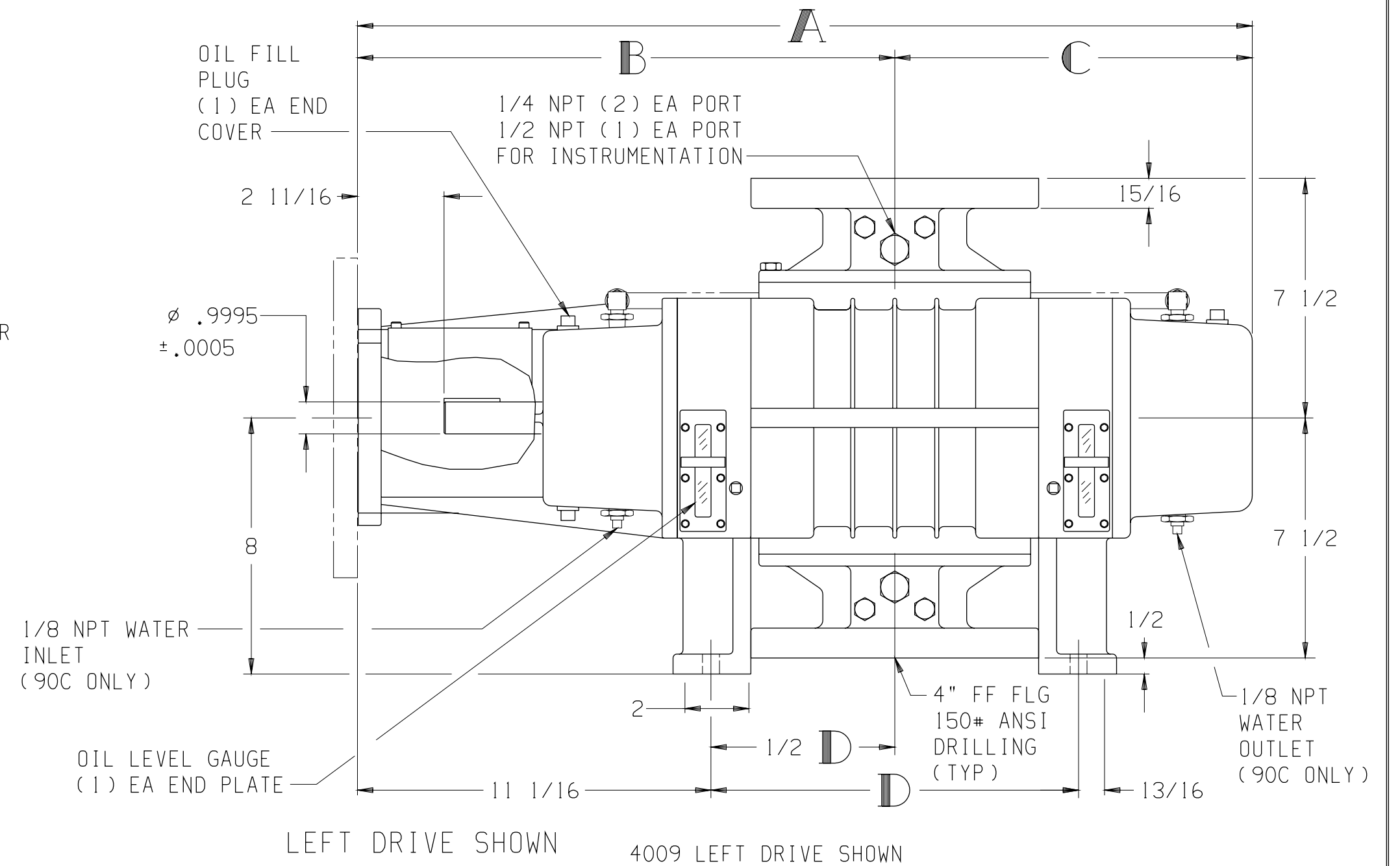
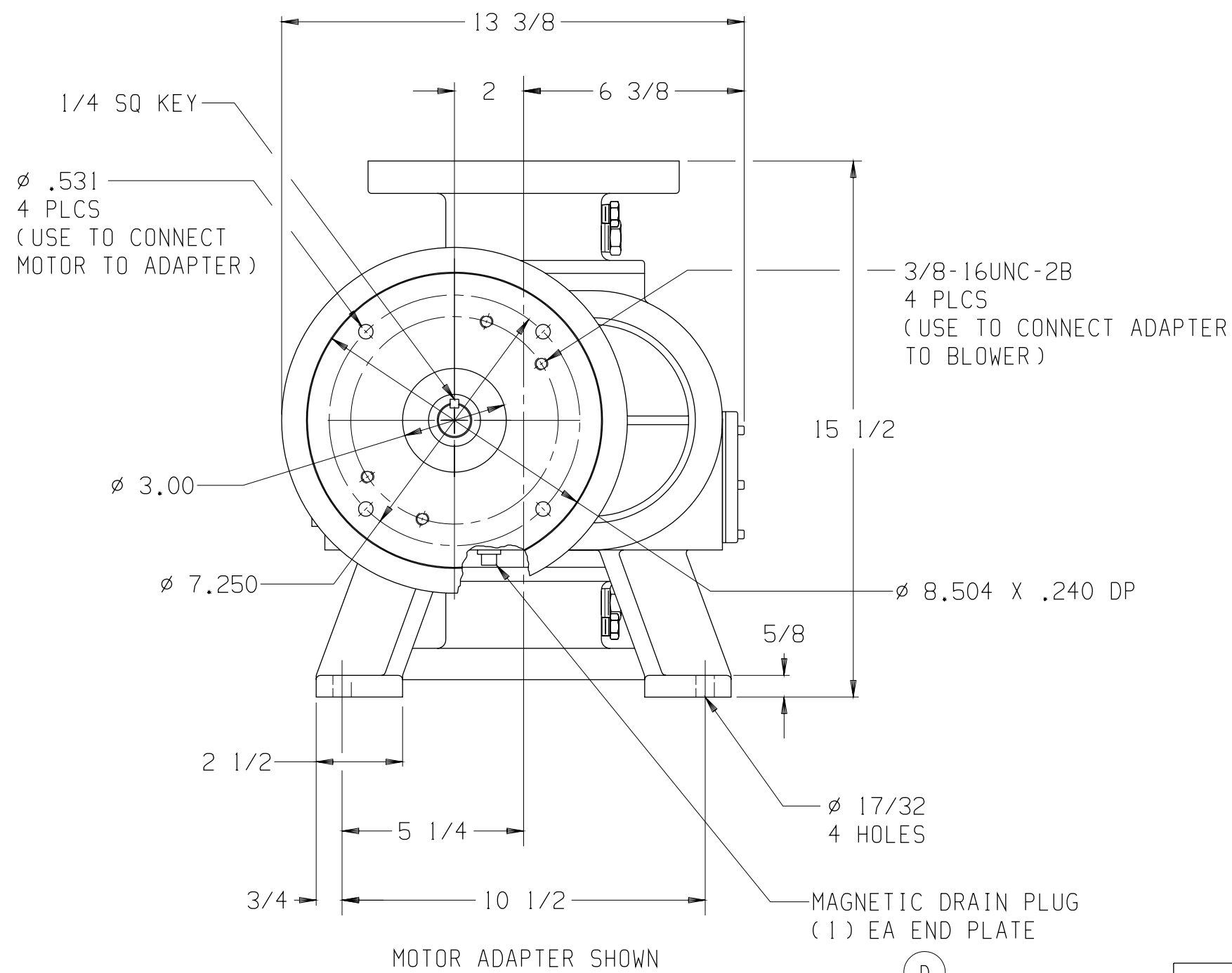
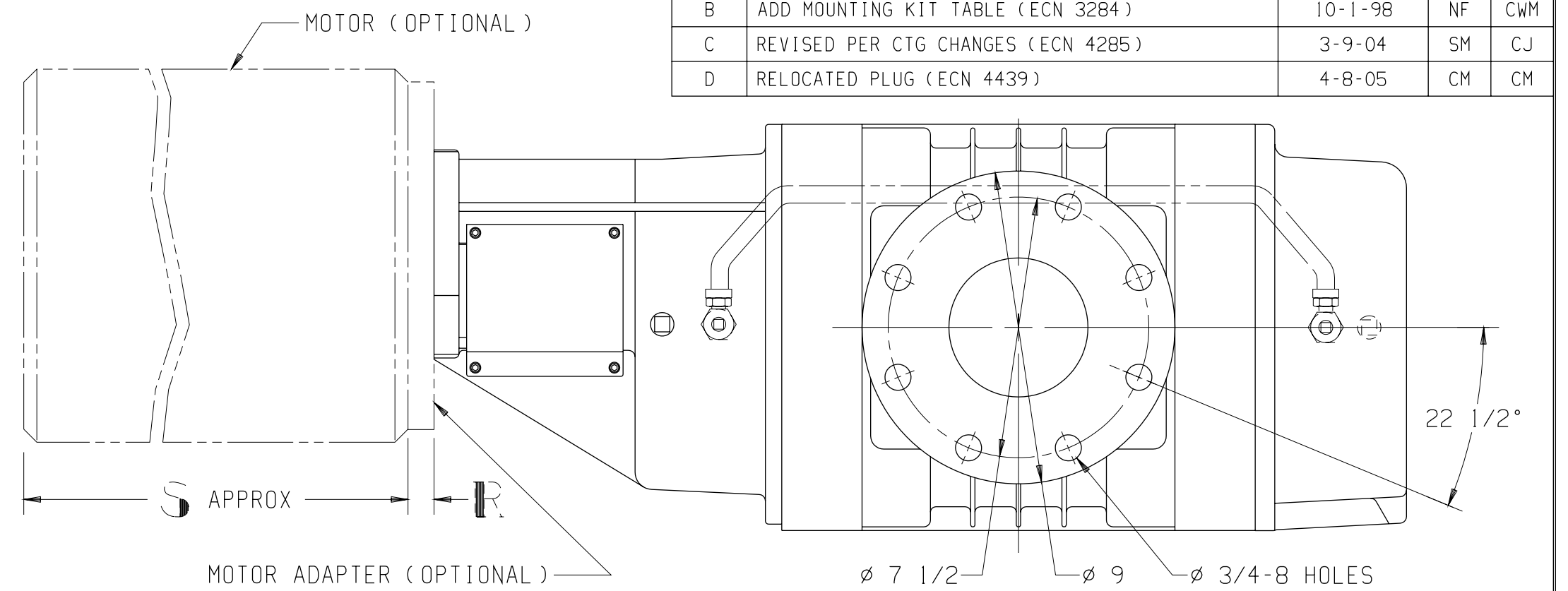


MODEL	A	B	C	D	WEIGHT LBS
4009	28	16 13/16	11 3/16	11 1/2	200
4012	31	18 5/16	12 11/16	14 1/2	230

LTR	REVISION	DATE	DR	CH
A	EXTENDED SHAFT & COVER 1/4": DISTANCE FROM END OF SHAFT TO END OF COVER WAS 3" - NOW 2 11/16 (ECN 3127)	2-4-98	BD	AO
B	ADD MOUNTING KIT TABLE (ECN 3284)	10-1-98	NF	CWM
C	REVISED PER CTG CHANGES (ECN 4285)	3-9-04	SM	CJ
D	RELOCATED PLUG (ECN 4439)	4-8-05	CM	CM

MOTOR ADAPTER PLATE INFORMATION				
MOTOR FRAME SIZE	M-D PART NUMBER	ADAPTER WEIGHT	R	S APPROX
184TC	40108-200	13	.75	13
213TC				16
215TC				21
254TC/256TC	40108-250	27	1.50	21



NOTES:
 1. REFER TO BASIC PART NUMBER (40111) FOR ADAPTER KIT INFORMATION.
 2. REFER TO CURRENT MAINTENANCE MANUAL FOR SERVICE INSTRUCTIONS.

MOUNTING KIT TABLE	
MOTOR FRAME	KIT NO.
184TC	40111-180TCCP
213TC/215TC	40111-210TCCP
254TC/256TC	40111-250TCCP

TUTHILL
 Vacuum & Blower Systems
 © Springfield, Missouri USA

VACUUM BOOSTER OUTLINE

SIZE: C2 4000-90C/92C

DR NF 5-17-97 CH AO 5-22-97