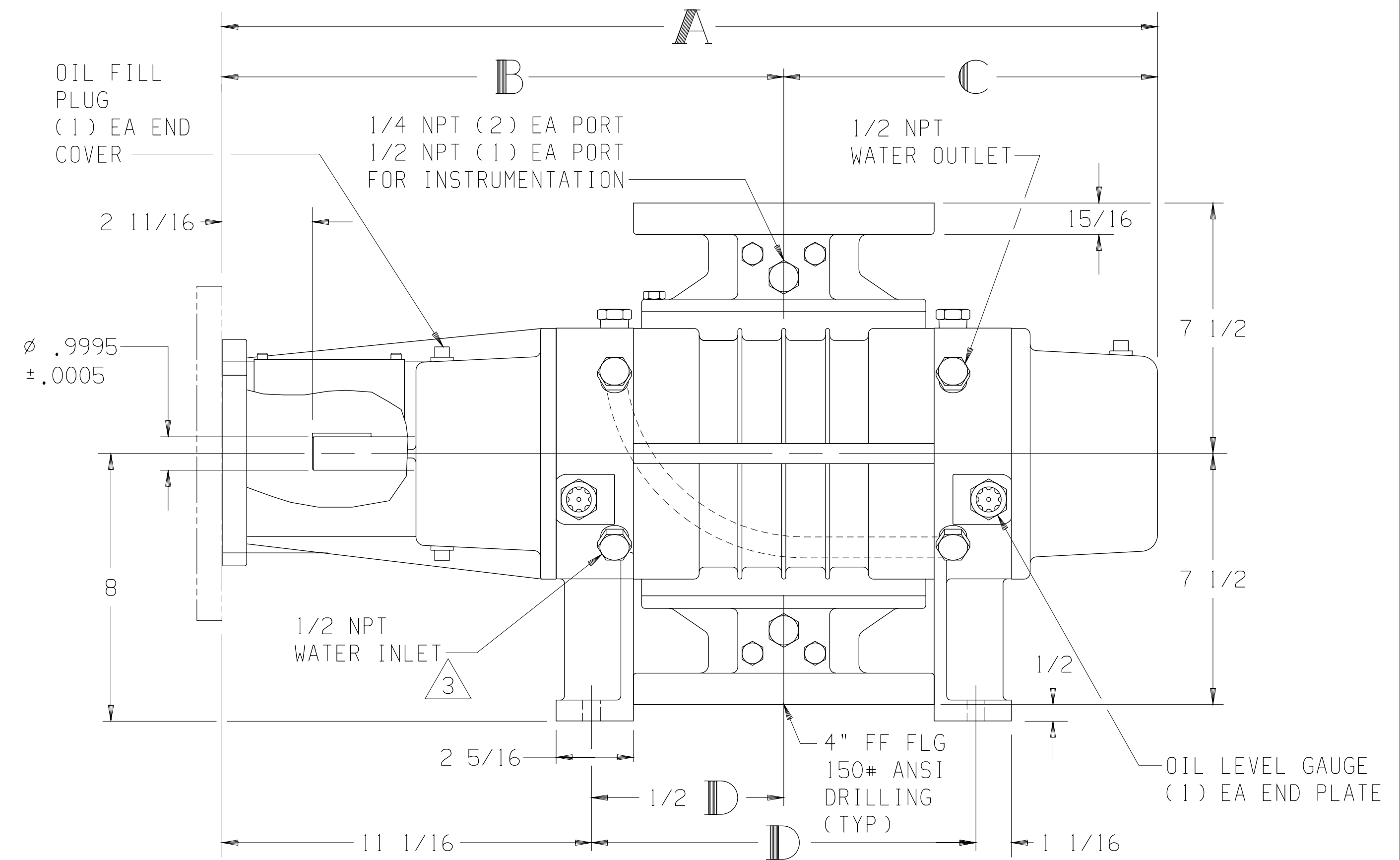
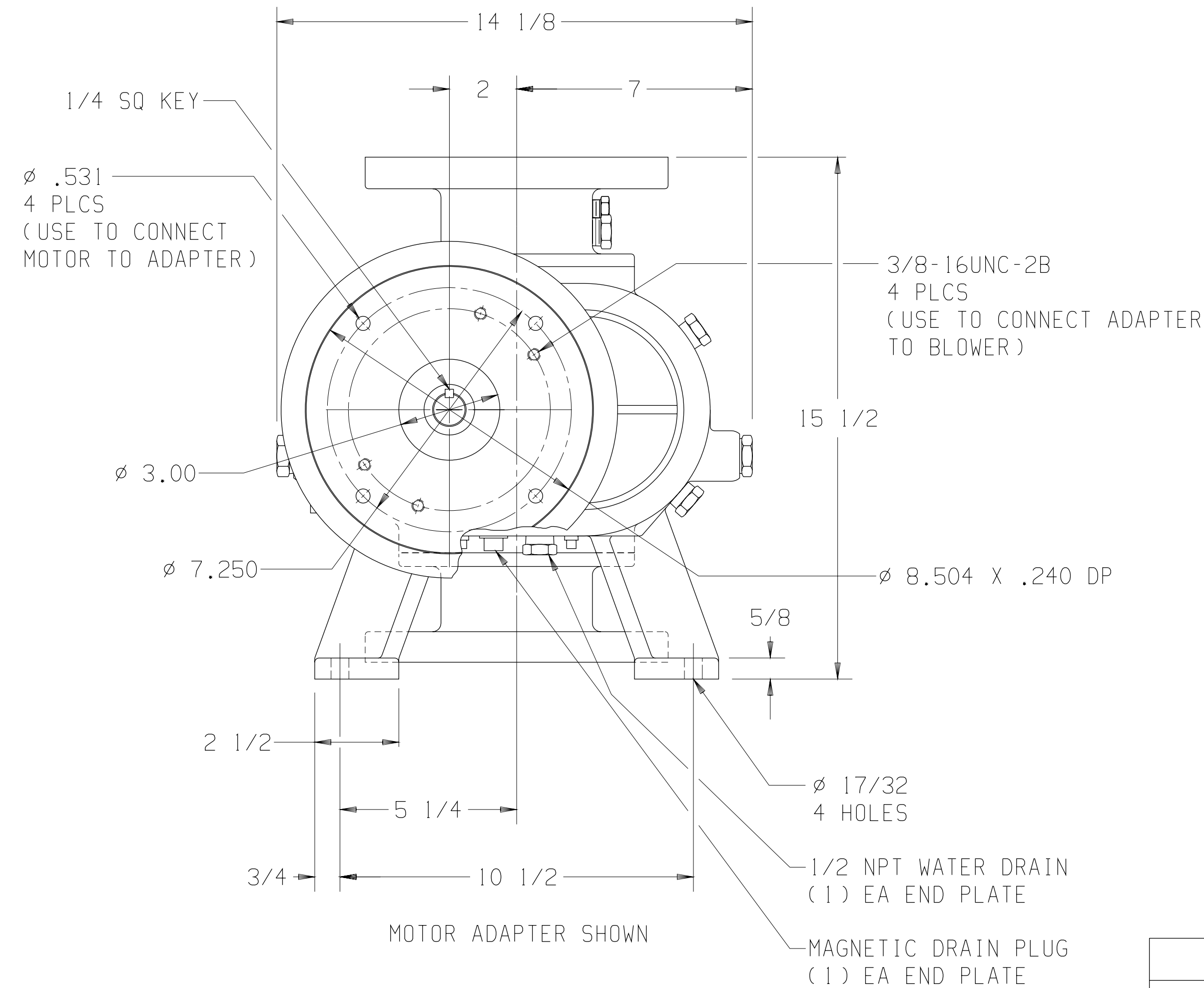
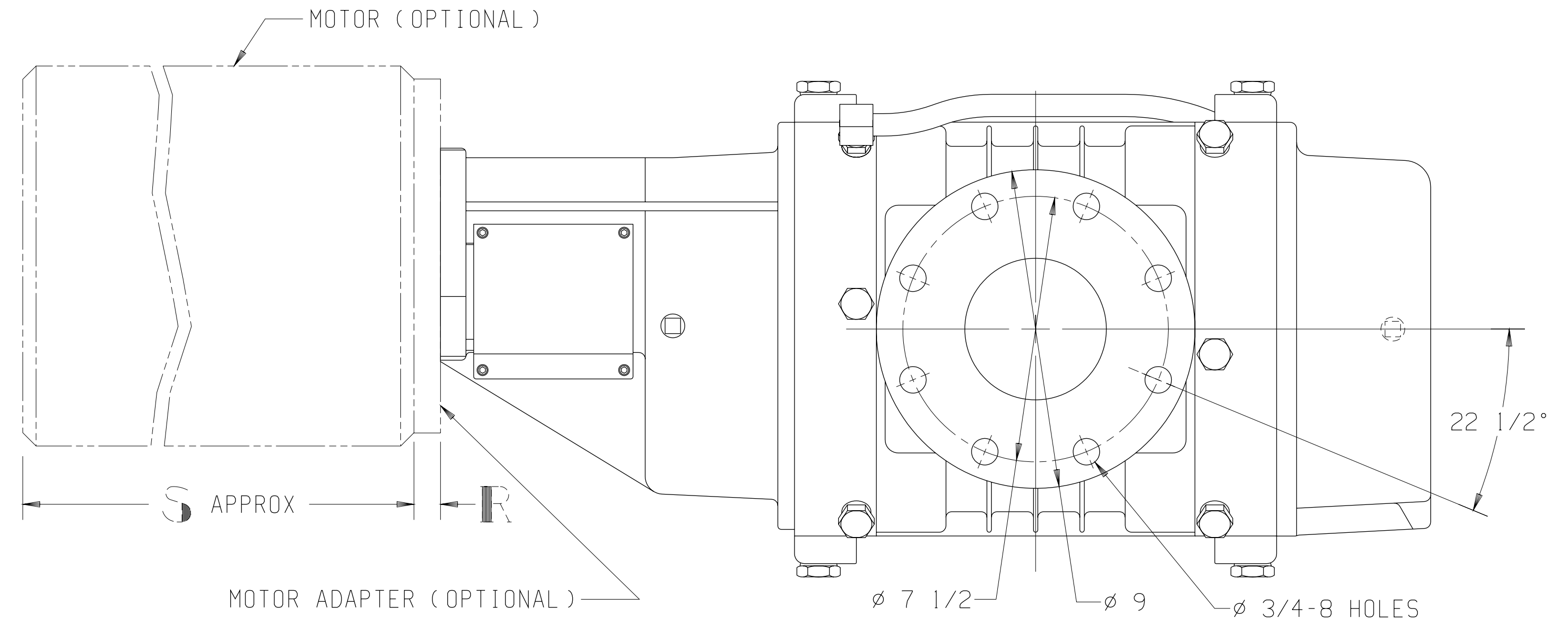


MODEL	A	B	C	D	WEIGHT LBS
4009	28	16 13/16	11 3/16	11 1/2	200
4012	31	18 5/16	12 11/16	14 1/2	230

MOTOR ADAPTER PLATE INFORMATION				
MOTOR FRAME SIZE	M-D PART NUMBER	ADAPTER WEIGHT	R	S APPROX
184TC	40108-200	13	.75	13
213TC				16
215TC				16
254TC/256TC	40108-250	27	1.50	21



4009 LEFT DRIVE SHOWN

- NOTE:
- REFER TO BASIC PART NUMBER (40111) FOR ADAPTER KIT INFORMATION
 - REFER TO CURRENT MAINTENANCE MANUAL FOR SERVICE INSTRUCTIONS

3 COOLING WATER SPECIFICATIONS:
 FLOW RATE: 1/2 TO 1 GPM
 MAXIMUM PRESSURE: 75 PSIG

MOUNTING KIT TABLE	
MOTOR FRAME	KIT NO.
184TC	40111-180TCCP
213TC/215TC	40111-210TCCP
254TC/256TC	40111-250TCCP



VACUUM BOOSTER OUTLINE

SIZE: 4000-90C
 C2 WATER COOLED END PLATES

DR BD.5-25-04 CH BD.5-26-04