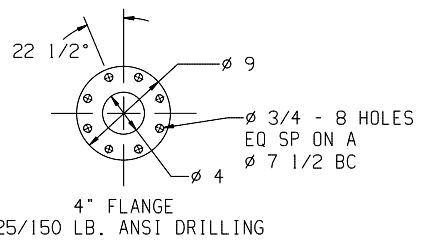
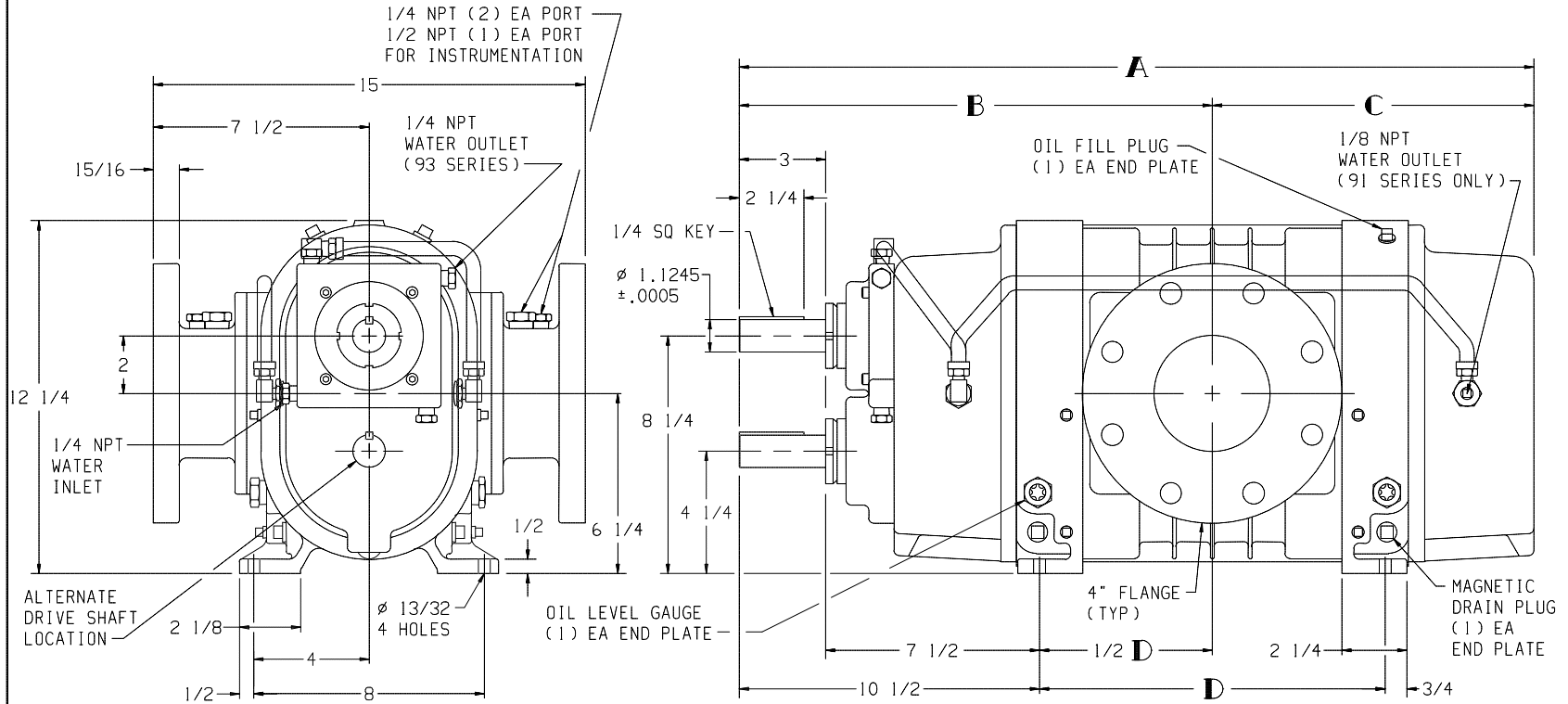


MODEL	A	B	C	D	WT
4009	27 11/16	16 1/2	11 3/16	12	210
4012	30 11/16	18	12 11/16	15	235

LTR	REVISION	DATE	DR	CH



4009 SHOWN

91 SERIES HAS COOLING FOR DRIVE SHAFT SEAL
AND COOLING COILS IN END COVERS.

93 SERIES HAS COOLING FOR DRIVE SHAFT SEAL ONLY.

REFER TO CURRENT MAINTENANCE MANUAL FOR SERVICE INSTRUCTIONS

TUTHILL
Pneumatics Group Springfield, Missouri USA

VACUUM BOOSTER OUTLINE

SIZE: C2 4000-91/93

DR LB 1-13-95 CH CM 2-20-95