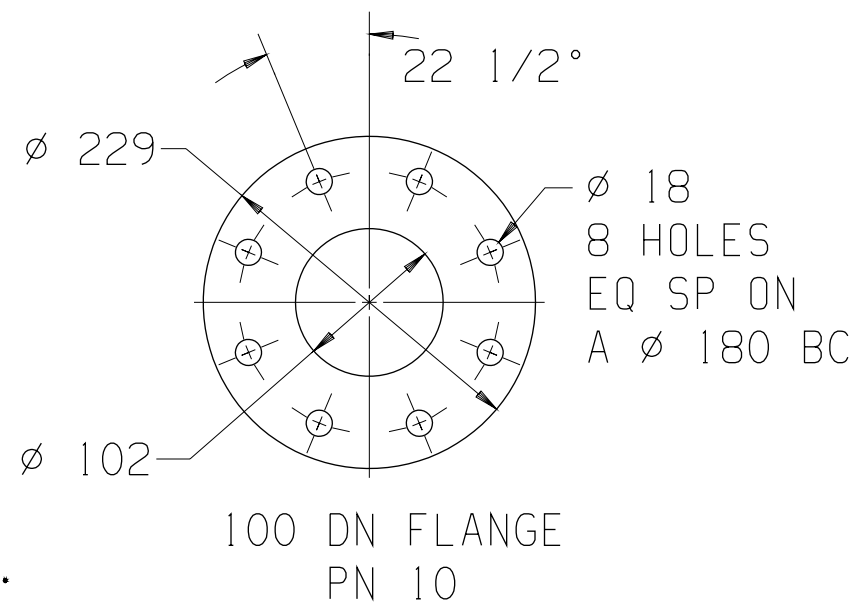
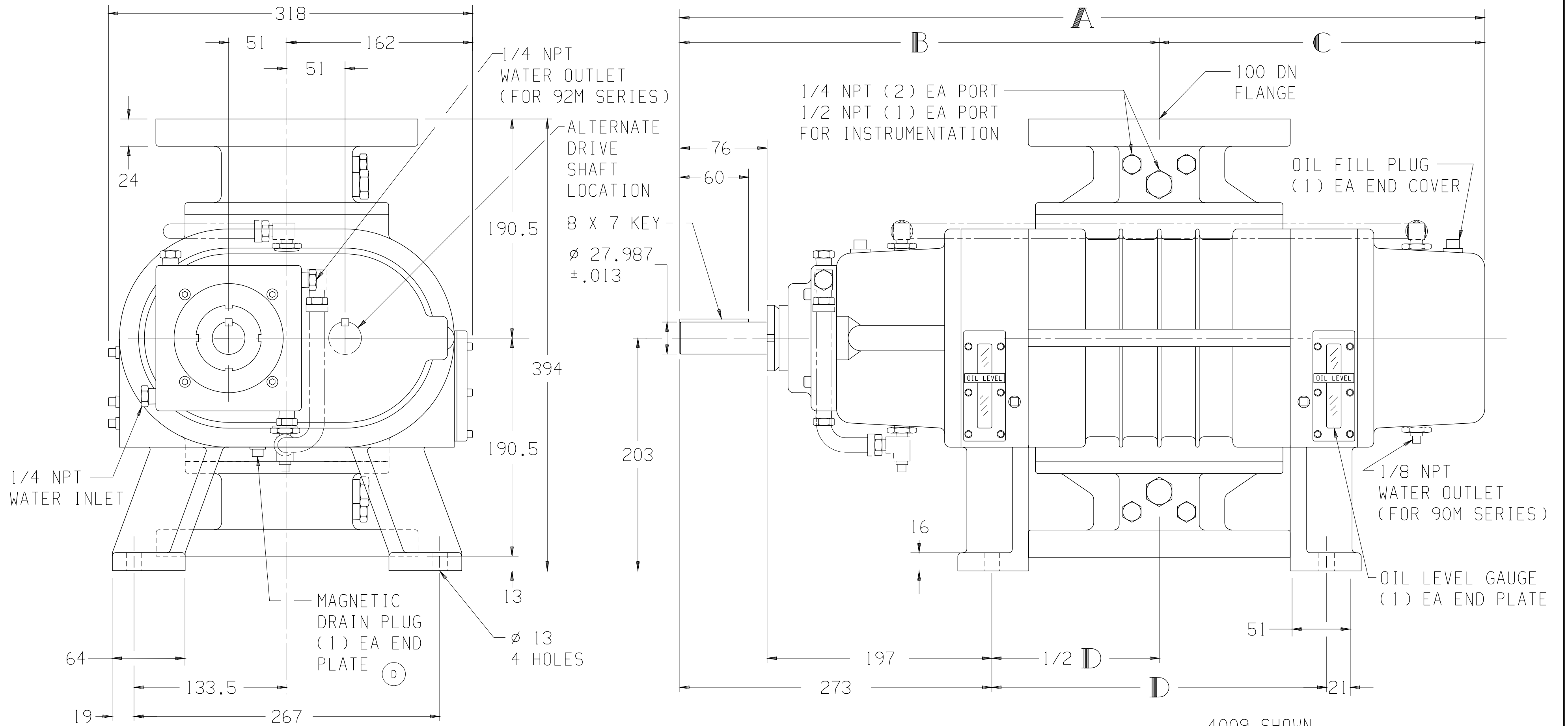


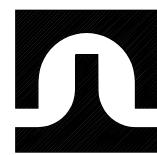
MODEL	A	B	C	D	WT
4009	703	419	284	292	100
4012	779	457	322	368	111

LTR	REVISION	DATE	DR	CH
A	1) CORRECTED CENTERLINE TO PORT DIMS. 2) CORRECTED MTG HOLES ON FRONT VIEW. CHG KEY LENGTH FROM 57 TO 60. (ECN 2569)	3-3-95	LB	CM
B	BLOWER MODEL WAS 4000-90M/92M (ECN 3009)	5-28-97	CM	LB
C	REVISED PER CTG CHANGES (ECN 4285)	3-8-04	SM	CJ
D	RELOCATED PLUG & DELETED HEX PLUG (ECN 4439)	4-8-05	CM	CM



NOTE:
 1. REFER TO CURRENT MAINTENANCE MANUAL FOR SERVICE INSTRUCTIONS.
 2. ALL DIMENSIONS ARE IN MILLIMETERS & WEIGHTS IN KILOGRAMS.

4009 SHOWN
 90 SERIES HAS COOLING FOR DRIVE SHAFT SEAL AND COOLING COILS IN END COVERS.
 92 SERIES HAS COOLING FOR DRIVE SHAFT SEAL ONLY.

 TUTHILL Vacuum & Blower Systems Springfield, Missouri USA	
VACUUM BOOSTER OUTLINE (METRIC)	
SIZE: C2	4000M-90/92
DR CM.10-19-93	CH LB 10-31-94