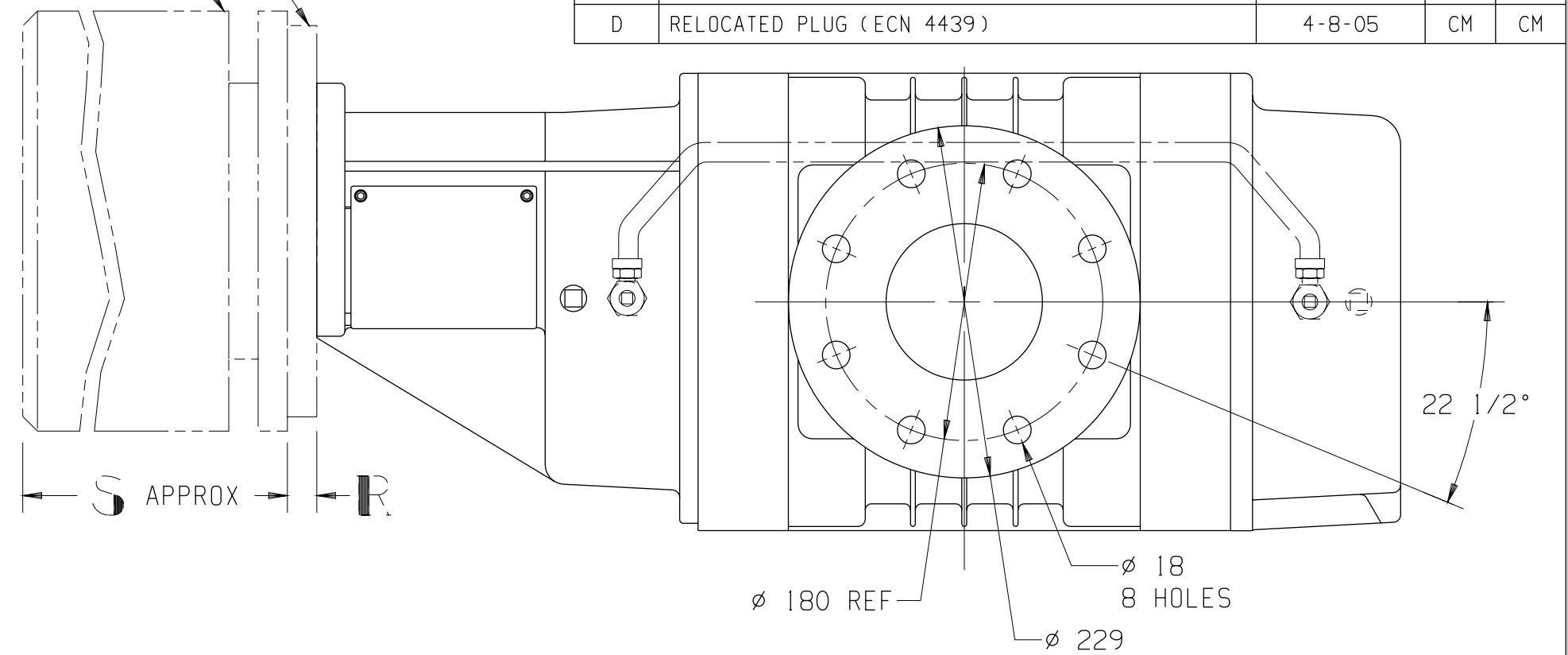


MODEL	A	B	C	D	WEIGHT Kg
4009	711	427	284	292	91
4012	787	465	322	368	104

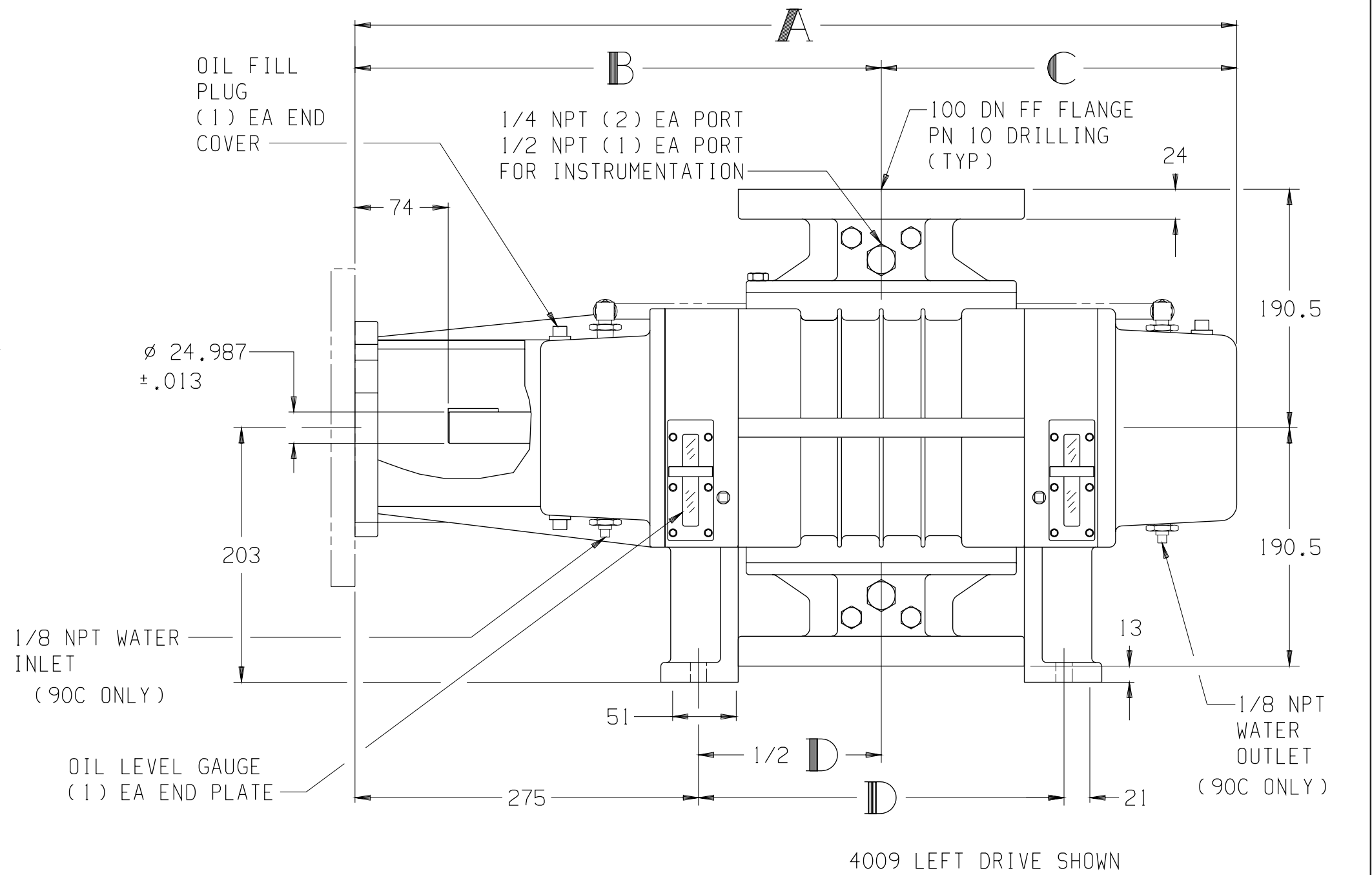
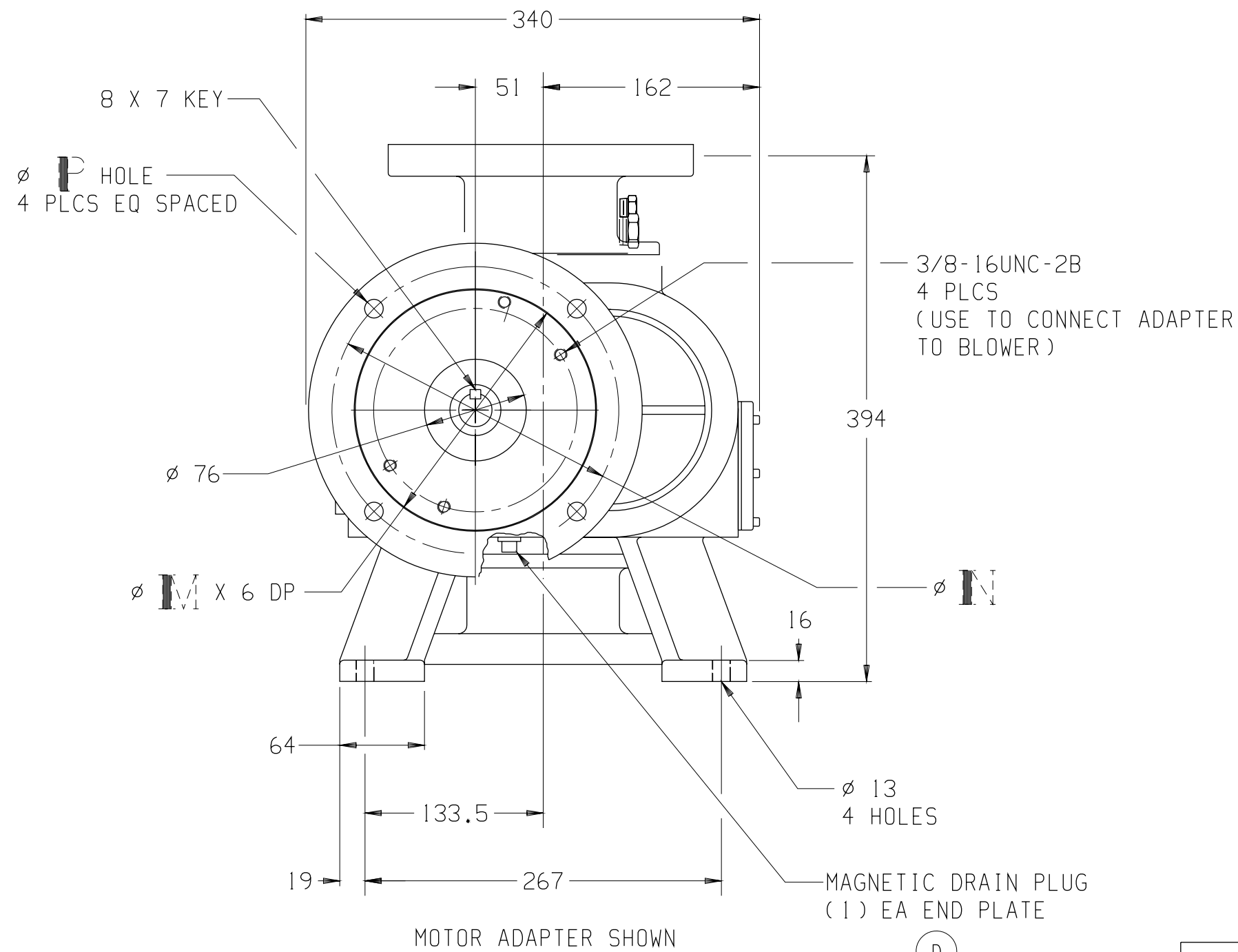
MOTOR ADAPTER PLATE INFORMATION							
MOTOR FRAME SIZE	M-D PART NUMBER	ADAPTER WEIGHT	M ±.05	N	P	R	S APPROX
112M	40107-112	4	180.10	215	15	.50	317
132S	40107-132	9	230.10	265	15	.75	367
160L & M	40107-160	31	250.10	300	17	1.75	490

MOTOR ADAPTER (OPTIONAL)

MOTOR (OPTIONAL)



LTR	REVISION	DATE	DR	CH
A	EXTENDED SHAFT & COVER 1/4" (ECN 3127)	2-4-98	BD	AO
B	ADD MOUNTING KIT TABLE (ECN 3284)	10-1-98	NF	CWM
C	REVISED PER CTG CHANGES (ECN 4285)	3-9-04	SM	CJ
D	RELOCATED PLUG (ECN 4439)	4-8-05	CM	CM



- NOTES:
- REFER TO BASIC PART NUMBER (40110) FOR ADAPTER KIT INFORMATION.
 - REFER TO CURRENT MAINTENANCE MANUAL FOR SERVICE INSTRUCTIONS.
 - ALL DIMENSIONS ARE IN MILLIMETERS & WEIGHTS IN KILOGRAMS.

MOUNTING KIT TABLE	
MOTOR FRAME	KIT NO.
112M	40110-112CP
132S	40110-132CP
160L/160M	40110-160CP

TUTHILL
 Vacuum & Blower Systems
 © Springfield, Missouri USA

VACUUM BOOSTER OUTLINE
 (METRIC)

SIZE: C2 4000M-90C/92C

DR NF 5-19-97 CH AO 5-22-97