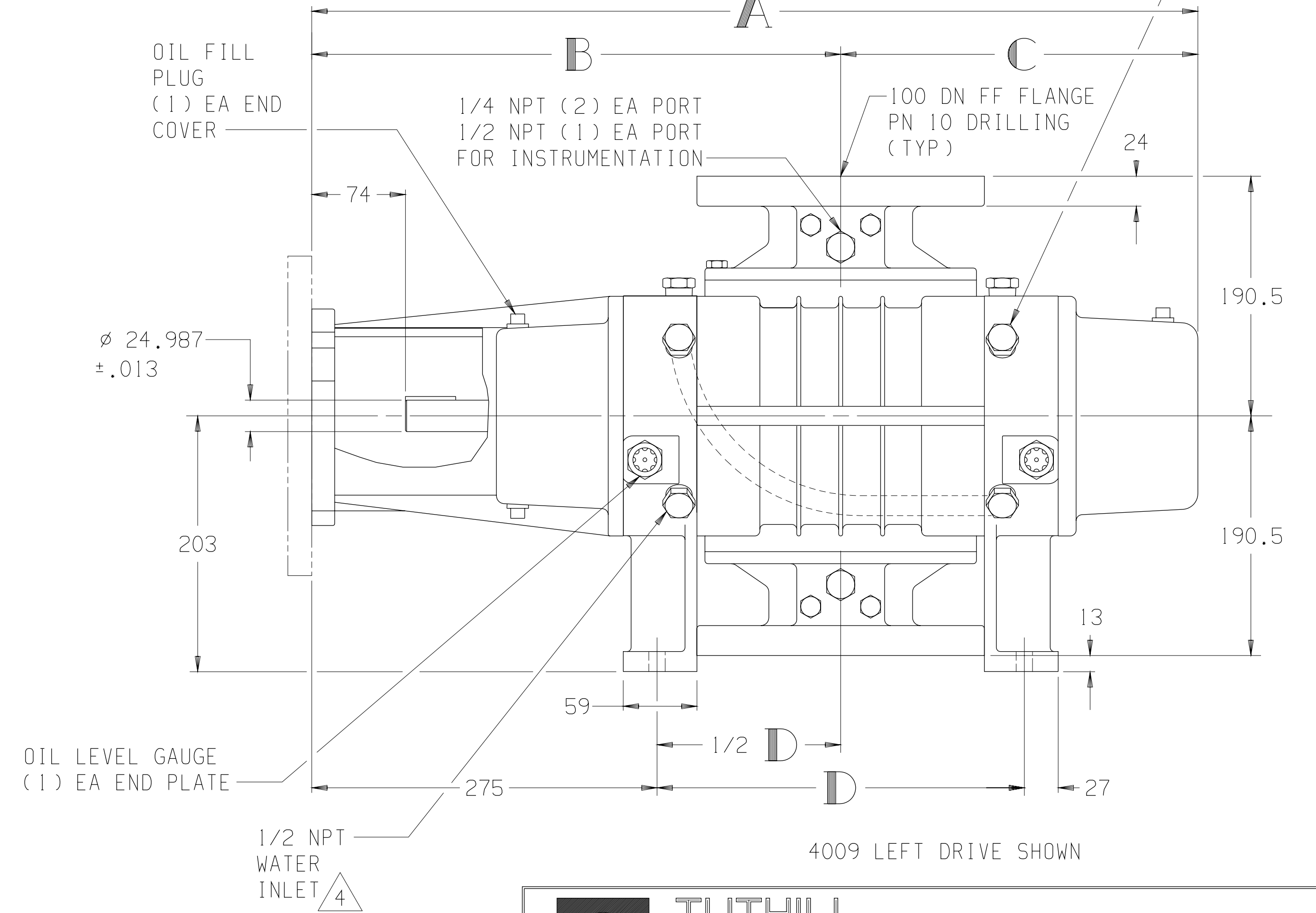
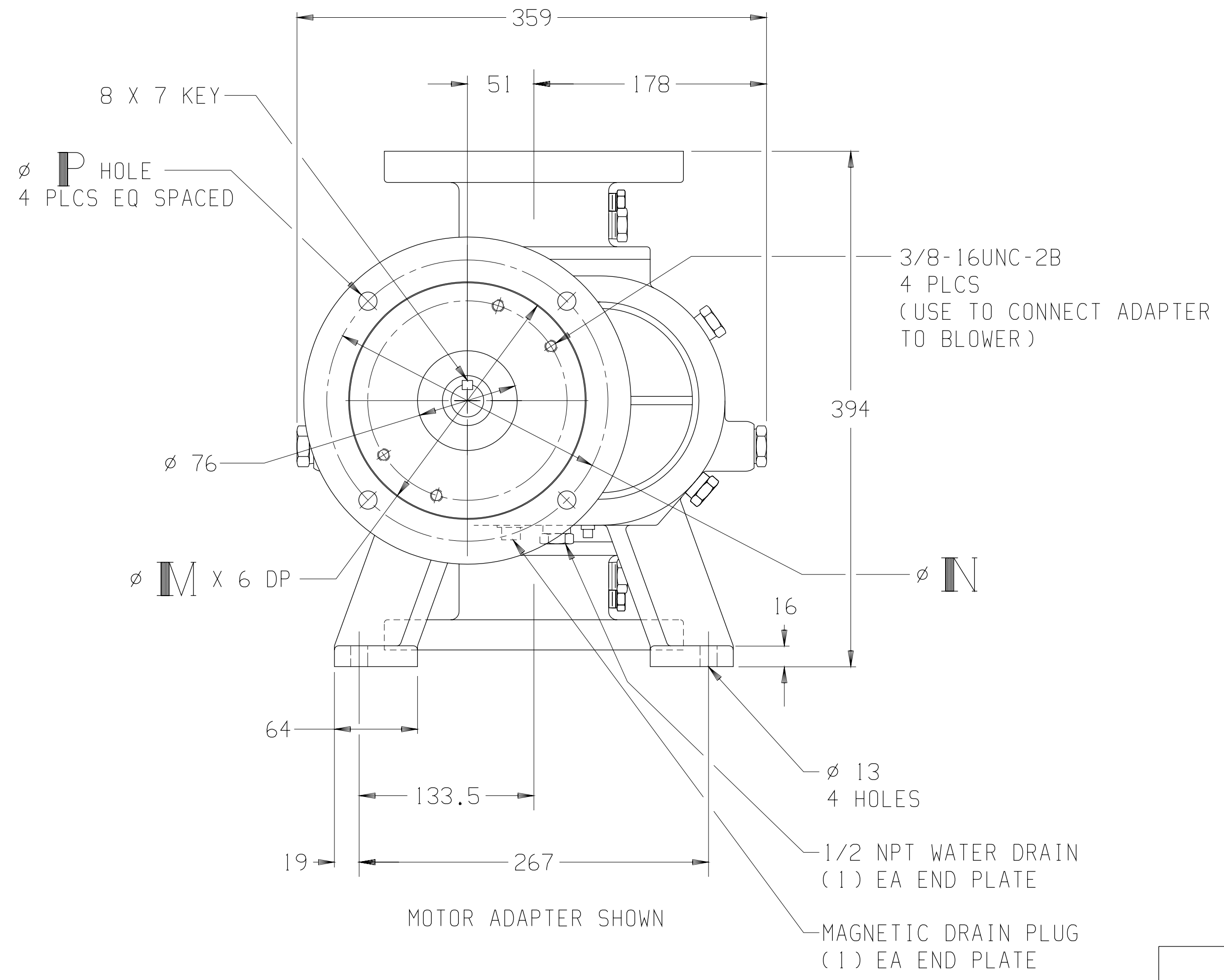
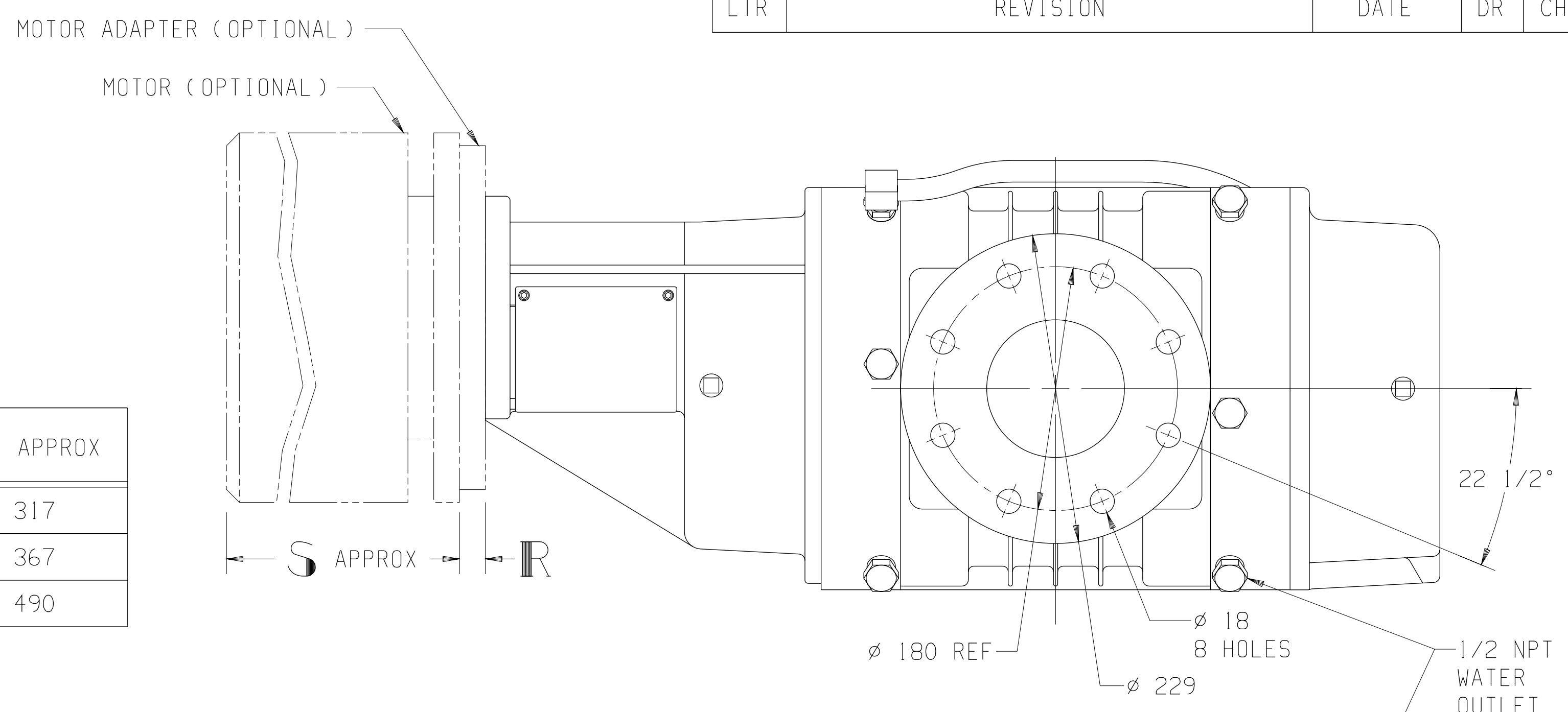


MODEL	A	B	C	D	WEIGHT Kg
4009	705	421	284	292	91
4012	781	459	322	368	104

MOTOR ADAPTER PLATE INFORMATION							
MOTOR FRAME SIZE	M-D PART NUMBER	ADAPTER WEIGHT	M ±.05	N	P	R	S APPROX
112M	40107-112	4	180.10	215	15	.50	317
132S	40107-132	9	230.10	265	15	.75	367
160L & M	40107-160	31	250.10	300	17	1.75	490



NOTES:  
 1. REFER TO BASIC PART NUMBER (40110) FOR ADAPTER KIT INFORMATION.  
 2. REFER TO CURRENT MAINTENANCE MANUAL FOR SERVICE INSTRUCTIONS.  
 3. ALL DIMENSIONS ARE IN MILLIMETERS & WEIGHTS IN KILOGRAMS.  
 4. COOLING WATER SPECIFICATIONS:  
 FLOW RATE: 2 TO 4 LPM; MAXIMUM PRESSURE: 500 kPa GAUGE.

MOUNTING KIT TABLE	
MOTOR FRAME	KIT NO.
112M	40110-112CP
132S	40110-132CP
160L/160M	40110-160CP

**TUTHILL**  
 Vacuum & Blower Systems  
 © Springfield, Missouri USA

VACUUM BOOSTER OUTLINE  
 (METRIC)

SIZE: C2 4000M-90C  
 WATER COOLED END PLATES

DR BD.4-12-99 CH CWM 4-13-99