

KINNEY® SDV™

Variable Pitch, Screw-Type Dry Vacuum Pump



Models: SDV-120 SDV-200

Features:

- Patented variable pitch rotor design
- Lower gas discharge temperatures – no cooling purges needed
- No oil or water in contact with process gases
- No metal-to-metal contact between operating parts
- Space saving C-face motor design eliminates need for motor coupling and guard
- Short gas path through the pump for quick discharge
- Quiet operation ≤ 72 dB(A)

Materials of Construction:

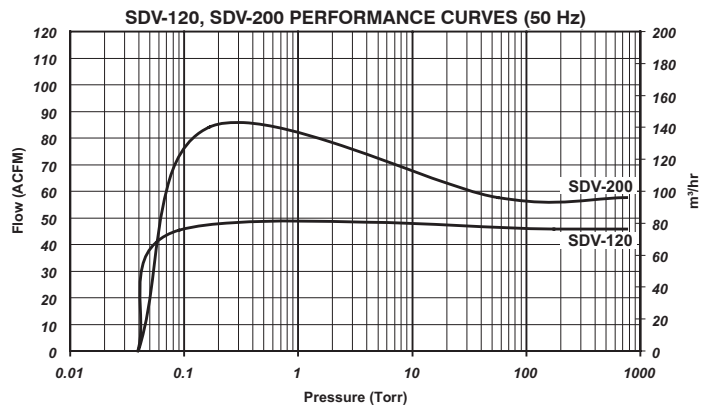
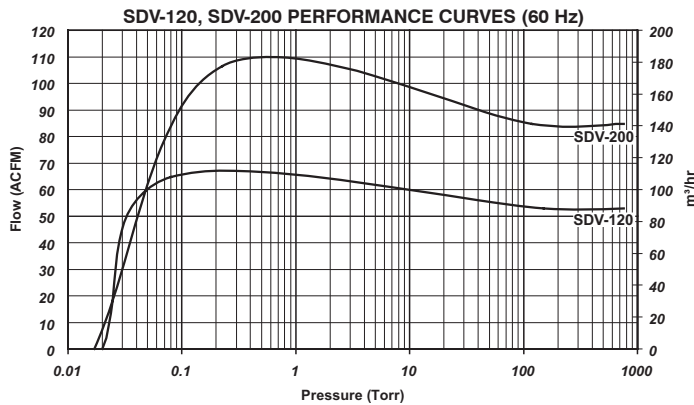
CASING,	Ductile iron, uncoated
END PLATES,	Cast iron, uncoated
COVERS:	NIFA or NiFlon Coatings (<i>optional</i>)
ROTORS:	Alloy steel, precision ground, helical type
TIMING GEARS:	
SHAFT SEALS:	
Drive End:	Mechanical seal & lip seal
Non-Drive End:	Triple lip seals (Double on SDV-120)
Drive Shaft:	Mechanical seal
O-RINGS:	Kalrez® compound 4079 Hastelloy® or Ni-Resist Seals (<i>optional</i>) Viton® A-1009 O-rings (<i>optional</i>)

Kalrez® and Viton® are registered trademarks of E.I. duPont de Nemours and Company
Hastelloy® is a registered trademark of Haynes International, Inc.

Specifications

MODEL	Capacity (60 Hz) (50 Hz)	Ultimate Pressure (60 Hz) (50 Hz)	Rotation Speed	Motor	Power Consumption 60 Hz / 50 Hz	Suction Flange (ANSI, 150# FF)	Discharge Flange (ANSI, 150# FF)	Cooling Water	Noise Level
	CFM / m ³ /h	Torr / mbar	60 Hz / 50 Hz	HP	kW	in. / mm	in. / mm	GPM / L/min	dB(A)
SDV-120	71 / 120 59 / 100	0.02 / 0.026 0.04 / 0.053	3500 / 2900	5	2.5 / 2.0	1.5 / 40	1.5 / 40	0.5 / 2.0	72
SDV-200	106 / 180 88 / 150	0.02 / 0.026 0.04 / 0.053	3500 / 2900	5	3.1 / 2.6	1.5 / 40	1.5 / 40	1.1 / 4.0	72

Typical Pumping Speed Curves



Your Local Tuthill Vacuum & Blower Systems Sales Professional:

LEADING THE SEARCH FOR NEW SOLUTIONS



TUTHILL
Vacuum & Blower Systems

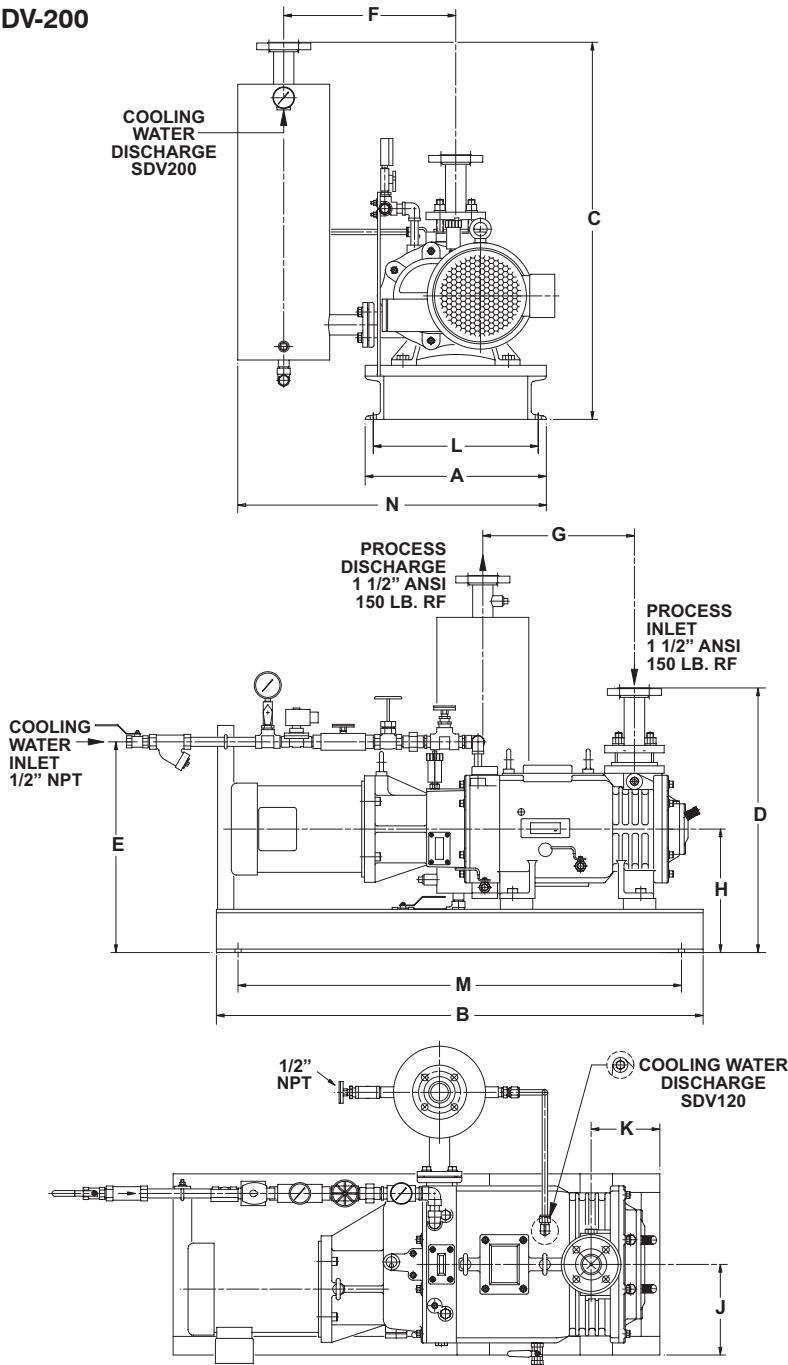
4840 West Kearney Street, P. O. Box 2877
Springfield, Missouri USA 65801-2877
Tel 417 865-8715 800 825-6937 Fax 417 865-2950
<http://vacuum.tuthill.com>



Dimensions:

Values shown are approximate and should not be used for construction.
 Certified drawings are available through your local Tuthill Vacuum & Blower Systems Sales Professional

Models: SDV-120 SDV-200



in. mm.	A	B	C	D	E	F	G	H	J	K	L	M	N	Bare Shaft lbs. kg.	Complete Unit lbs. kg.
SDV-120	16.75 425	41.25 1048	30.52 775	23.31 592	18.09 459	11.87 301	9.45 240	10.51 267	8.41 214	4.96 126	15.25 387	37.25 946	22.5 572	397 180	755 343
SDV-200	16.75 425	45.00 1143	34.87 886	24.47 622	19.48 495	15.91 404	14.02 356	11.42 290	8.38 213	6.35 161	15.25 387	41.00 1041	28.5 724	485 220	844 383

LEADING THE SEARCH FOR NEW SOLUTIONS



TUTHILL
 Vacuum & Blower Systems

4840 West Kearney Street, P. O. Box 2877
 Springfield, Missouri USA 65801-2877
 Tel 417 865-8715 800 825-6937 Fax 417 865-2950
<http://vacuum.tuthill.com>



Your Local Tuthill Vacuum & Blower Systems Sales Professional: