

# KINNEY® SDV™

## Variable Pitch, Screw-Type Dry Vacuum Pump

**Model: SDV-800**



### Features:

- Patented variable pitch rotor design
- No oil or water in contact with process gases
- No metal-to-metal contact between operating parts
- Space saving C-face motor design eliminates need for motor coupling and guard
- Short gas path through the pump for quick discharge
- Quiet operation  $\leq 85$  dB(A)

### Materials of Construction:

**CASING**

**END PLATES,**

**COVERS:**

Ductile iron, uncoated

**ROTORS:**

Cast iron, uncoated

NIFA or NiFlon Coatings (*optional*)

**TIMING GEARS:**

Alloy steel, precision ground, helical type

**SHAFT SEALS:**

**Drive End:**

Mechanical seal & lip seal

**Non-Drive End:**

Triple lip seals

**Drive Shaft:**

Mechanical seal

**O-RINGS:**

Kalrez® compound 4079

**OPTIONS:**

Hastelloy® or Ni-Resist Seals (*optional*)

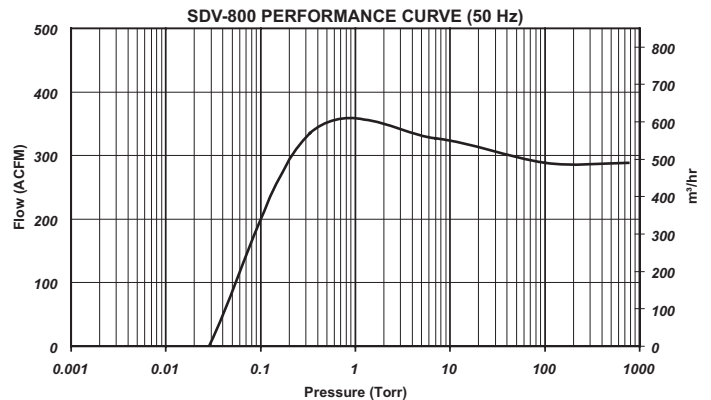
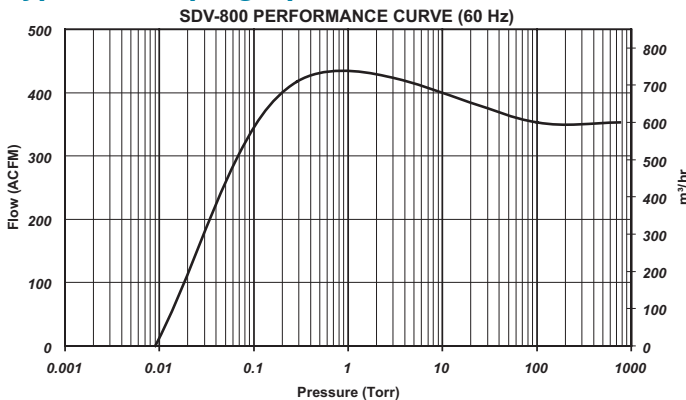
Viton® A-1009 O-rings (*optional*)

Kalrez® and Viton® are registered trademarks of E.I. duPont de Nemours and Company  
Hastelloy® is a registered trademark of Haynes International, Inc.

### Specifications

MODEL	Capacity (60 Hz) (50 Hz)	Ultimate Pressure (60 Hz) (50 Hz)	Rotation Speed	Motor	Power Consumption 60 Hz / 50 Hz	Suction Flange (ANSI, 150# FF)	Discharge Flange (ANSI, 150# FF)	Cooling Water	Noise Level
	CFM / m <sup>3</sup> /h	Torr / mbar	60 Hz / 50 Hz	HP	kW	in. / mm	in. / mm	GPM / L/min	dB(A)
SDV-800	441 / 750 368 / 625	0.01 / 0.013 0.03 / 0.04	3500 / 2900	20	13 / 11	4 / 100	2.5 / 65	5.3 / 20	85

### Typical Pumping Speed Curves



Your Local Tuthill Vacuum & Blower Systems Sales Professional:

LEADING THE SEARCH FOR NEW SOLUTIONS



**TUTHILL**  
Vacuum & Blower Systems

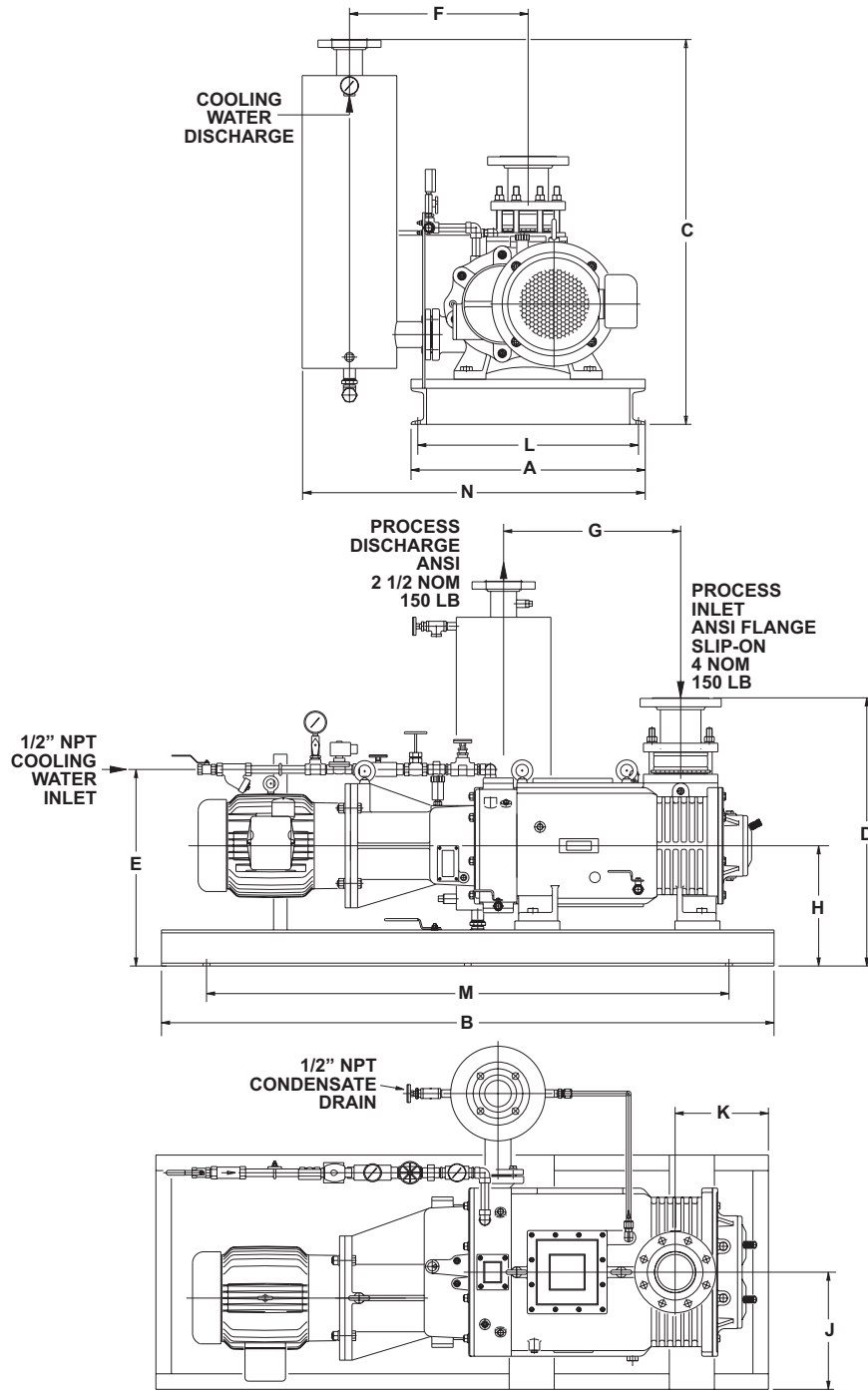
4840 West Kearney Street, P. O. Box 2877  
Springfield, Missouri USA 65801-2877  
Tel 417 865-8715 800 825-6937 Fax 417 865-2950  
<http://vacuum.tuthill.com>



**Dimensions:**

Values shown are approximate and should not be used for construction.  
 Certified drawings are available through your local Tuthill Vacuum & Blower Systems Sales Professional

**Model: SDV-800**



in. mm.	A	B	C	D	E	F	G	H	J	K	L	M	N	Bare Shaft lbs. kg.	Complete Unit lbs. kg.
SDV-800	26 660	68 1727	42.71 1085	29.76 756	21.82 554	19.83 504	19.66 499	13.35 339	13 330	10.36 263	24.5 622	58 1473	38 965	1212 550	1970 894

Your Local Tuthill Vacuum & Blower Systems Sales Professional:

LEADING THE SEARCH FOR NEW SOLUTIONS



4840 West Kearney Street, P. O. Box 2877  
 Springfield, Missouri USA 65801-2877  
 Tel 417 865-8715 800 825-6937 Fax 417 865-2950  
<http://vacuum.tuthill.com>

