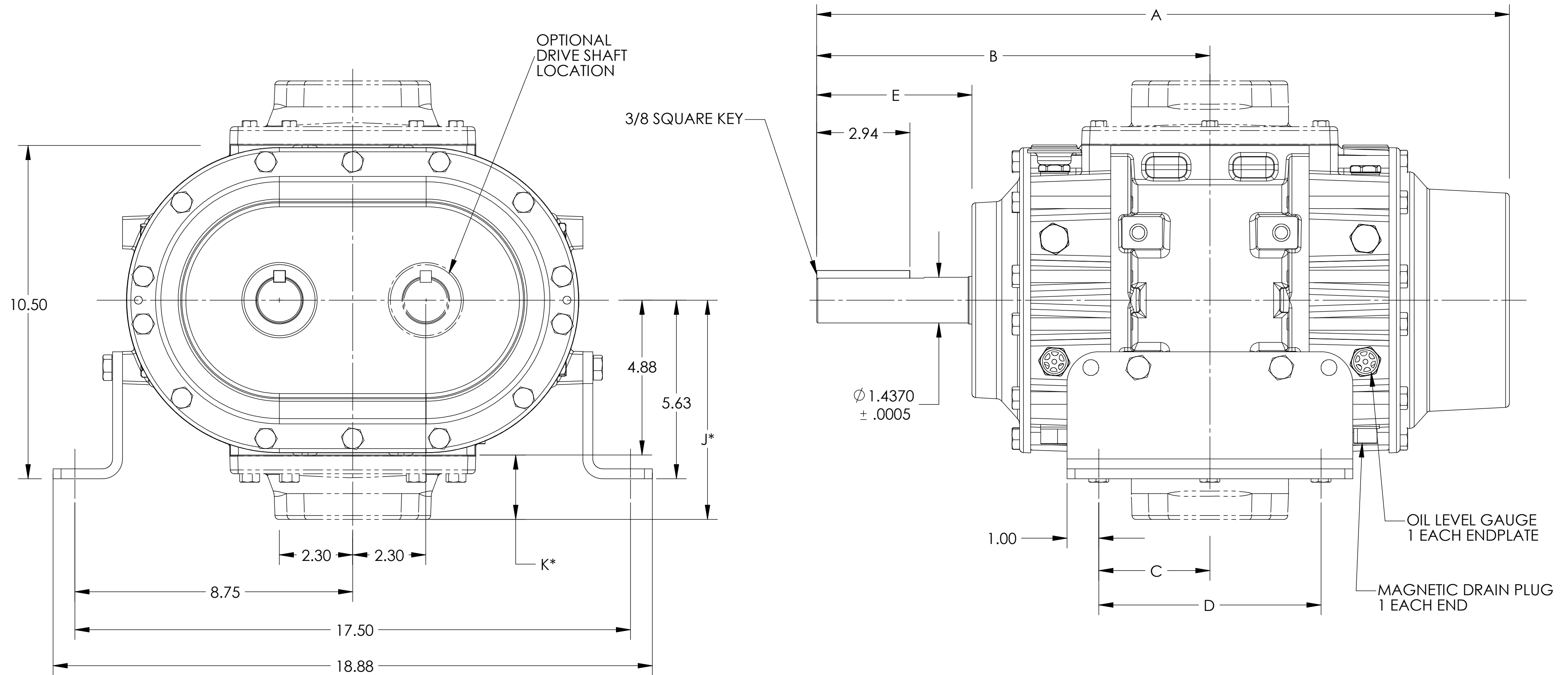



OPTIONAL PORT KITS									
4504					4506				
KIT PN	NPT	J	K	WT	KIT PN	NPT	J	K	WT
93337	4"	9.02	4.15	11	93338	4"	6.94	2.03	11
					93339	4"	10.94	6.03	19
4509					4512				
KIT PN	NPT	J	K	WT	KIT PN	NPT	J	K	WT
93340	4"	6.94	2.03	17	93343	6"	7.63	2.72	19
93341	5"	12.47	7.56	28	93344	6"	13.19	8.28	36
93342	5"	7.84	2.93	15					

\*OPTIONAL PORT KITS INCLUDE ONE PORT AND MOUNTING HARDWARE. WITHIN A GIVEN MODEL NO., PORT KITS MAY BE MIXED AND MATCHED.

BLOWER MODELS						
MODEL NO.	A	B	C	D	E	WEIGHT
<b>4504-46</b>	18.45	10.02	2.50	5.00	3.52	270
<b>4506-46</b>	21.82	12.39	3.50	7.00	4.89	310
<b>4509-46</b>	24.80	13.87	3.50	7.00	4.89	350
<b>4512-46</b>	27.81	15.38	5.00	10.00	4.89	390



(LEFT DRIVE 4506 SHOWN)

 <b>TUTHILL</b> Vacuum & Blower Systems <small>© Springfield, Missouri USA</small>	
TITLE: <b>EQUALIZER DF OUTLINE</b>	
SIZE: <b>C</b>	DWG. NO.: <b>4500-46</b>
DN: SM DATE: 1-29-04	CK: LD DATE: 1-29-04
SCALE: 1:2.5	