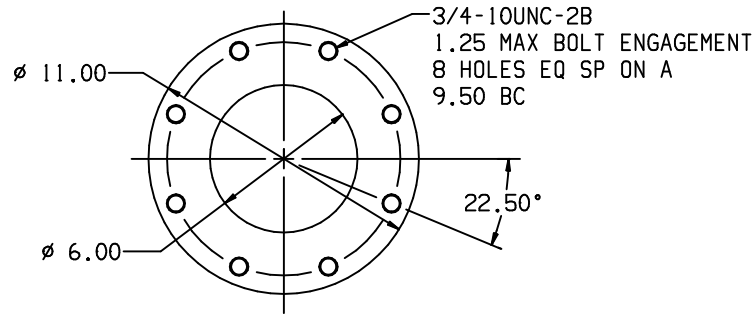
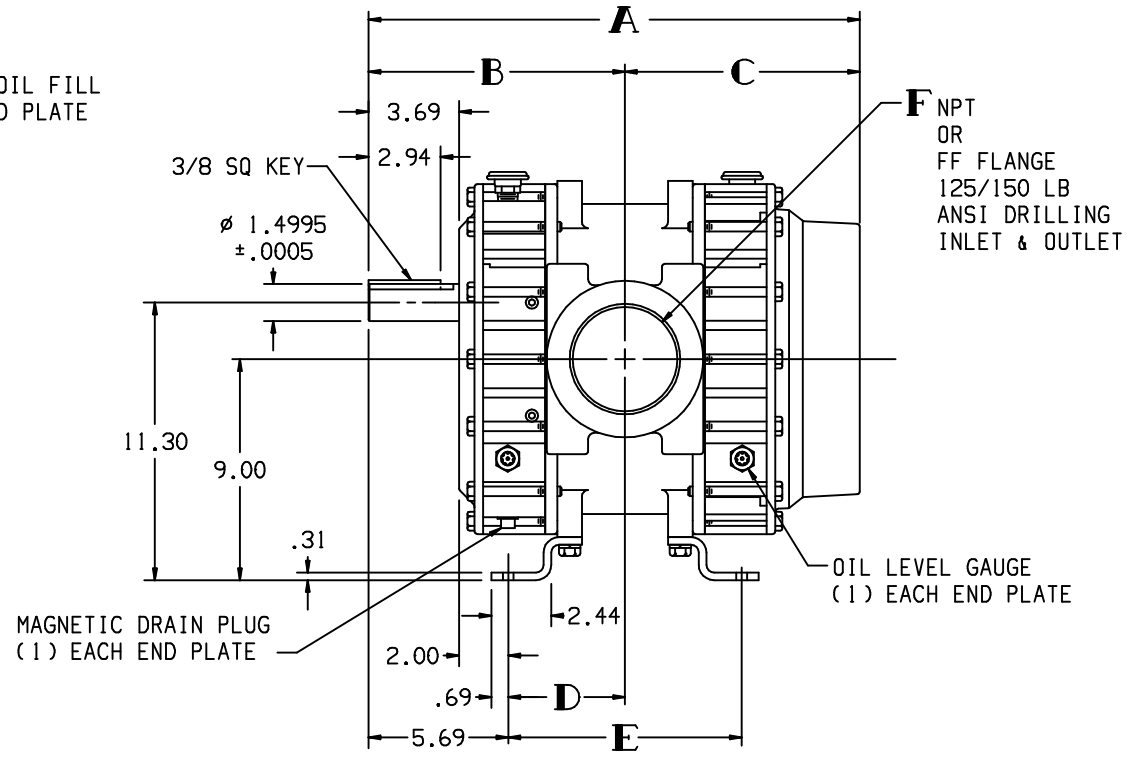
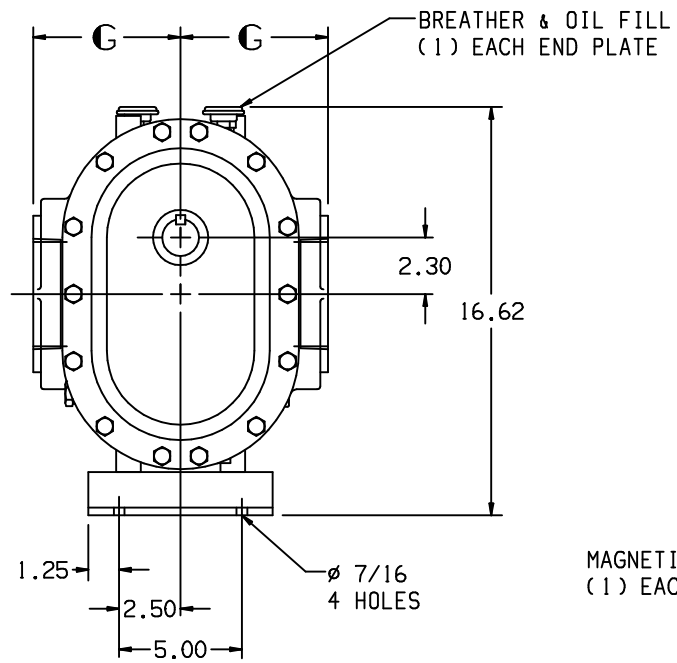


LTR	REVISION	DATE	DR	CH
A	REVISED WEIGHTS; ECN #1679	5-23-91	SY	AO
B	CHANGED MODEL NUMBER; ECN #2404	9-8-94	NF	LB




6" FLANGE

MODEL	A	B	C	D	E	F	G	WEIGHT LBS
4606	20.00	10.44	9.56	4.75	9.50	4 NPT	6.00	230
4609	23.00	11.94	11.06	6.25	12.50	4 NPT	5.50	265
4612	26.00	13.44	12.56	7.75	15.50	6 FLG	5.50	305



4606 SHOWN

NOTE:
REFER TO CURRENT MAINTENANCE MANUAL FOR SERVICE INSTRUCTIONS OR FOR FIELD CONVERSION TO VERTICAL FLOW.

 TUTHILL Pneumatics Group Springfield, Missouri USA	
ROTARY BLOWER OUTLINE HORIZONTAL FLOW	
SIZE: C2	4606, 4609, 4612-17T
DR SY 1-14-91	CH AO 1-16-91