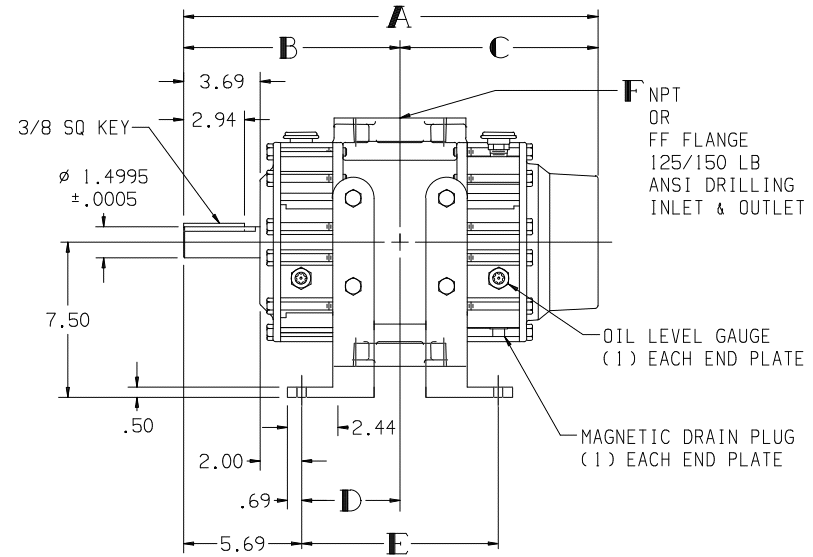
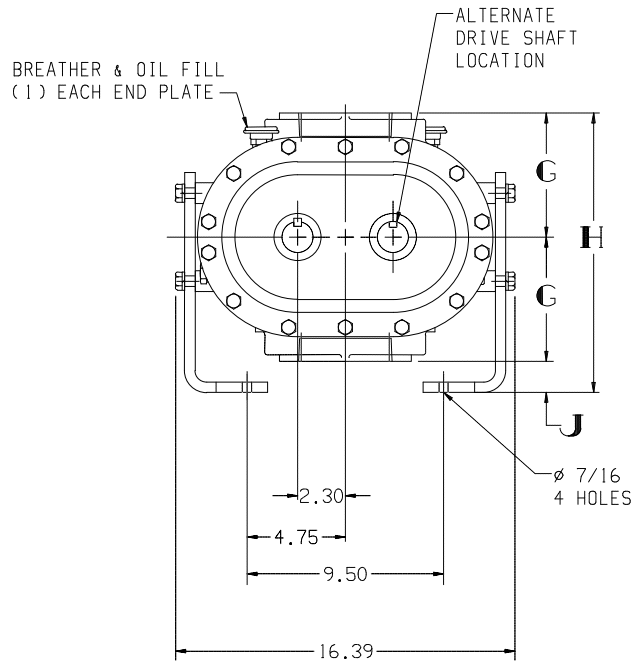


| LTR | REVISION | DATE | DR | CH |
|-----|--|---------|----|----|
| A | REVISED WEIGHTS; ECN #1679 | 5-23-91 | SY | A0 |
| B | CHANGED MTG FT; MODEL NO. WAS 4606-VL/VR, 4609-VL/VR, 4612-VL/VR ECN #2399 | 9-9-94 | NF | A0 |

| MODEL | A | B | C | D | E | F | G | H | J | WEIGHT LBS |
|-------|-------|-------|-------|------|-------|-------|------|-------|------|------------|
| 4606 | 20.00 | 10.44 | 9.56 | 4.75 | 9.50 | 4 NPT | 6.00 | 13.50 | 1.50 | 245 |
| 4609 | 23.00 | 11.94 | 11.06 | 6.25 | 12.50 | 4 NPT | 5.50 | 13.00 | 2.00 | 280 |
| 4612 | 26.00 | 13.44 | 12.56 | 7.75 | 15.50 | 6 FLG | 5.50 | 13.00 | 2.00 | 320 |



4606 SHOWN

NOTE:

REFER TO CURRENT MAINTENANCE MANUAL
FOR SERVICE INSTRUCTIONS OR FOR FIELD
CONVERSION TO HORIZONTAL FLOW.

TUTHILL
Pneumatics Group Springfield, Missouri USA

ROTARY BLOWER OUTLINE
VERTICAL FLOW

SIZE: C2 4606, 4609, 4612-46

DR SY 1-14-91 CH A0 1-16-91