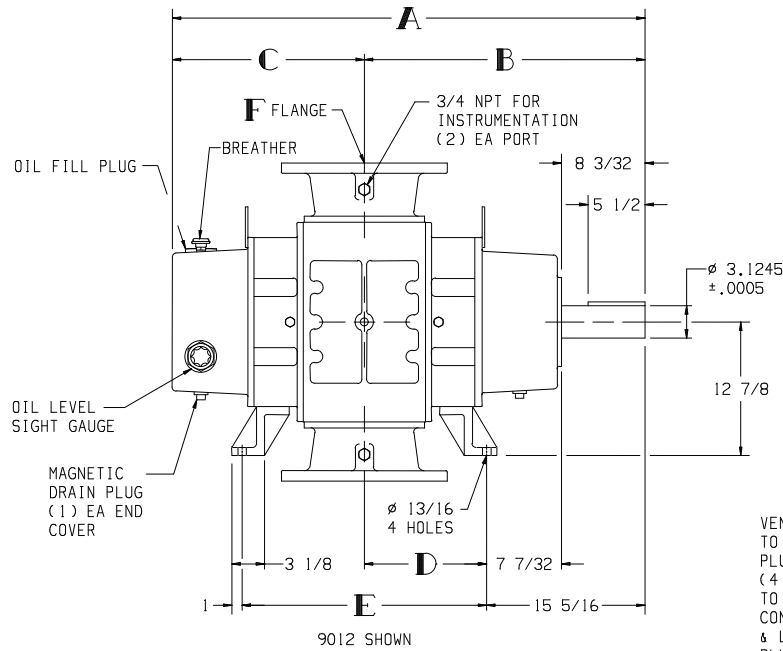


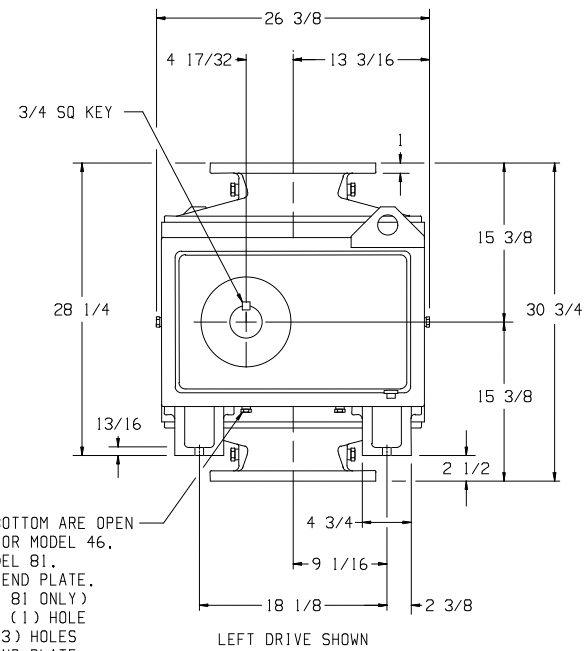
NOTE: ALL FLANGES 125/150 LB ANSI DRILLING

LTR	REVISION	DATE	DR	CH
F	REDRAWN PER LATEST STD'S (ECN 1643)	6-26-91	JS	LB

MODEL	A	B	C	D	E	F
9012	45 3/4	27 1/8	18 5/8	11 13/16	23 5/8	10
9016	49 11/16	29 3/32	20 19/32	13 25/32	27 9/16	12
9020	54 19/32	31 9/16	23 1/32	16 1/4	32 1/2	12
9027	61 1/2	35	26 1/2	19 11/16	39 3/8	14



VENT HOLES ON BOTTOM ARE OPEN TO ATMOSPHERE FOR MODEL 46. PLUGGED FOR MODEL 81. (4) 1/2 NPT EA END PLATE TO PURGE (MODEL 81 ONLY) CONNECT LINE TO (1) HOLE & LEAVE OTHER (3) HOLES PLUGGED ON EA END PLATE.



LEFT DRIVE SHOWN

REFER TO CURRENT MAINTENANCE MANUAL FOR SERVICE INSTRUCTIONS.

TUTHILL
Pneumatics Group Springfield, Missouri USA

ROTARY BLOWER OUTLINE

SIZE: C2 9000-46/81

DR JS 6-26-91 CH LB 4-22-92