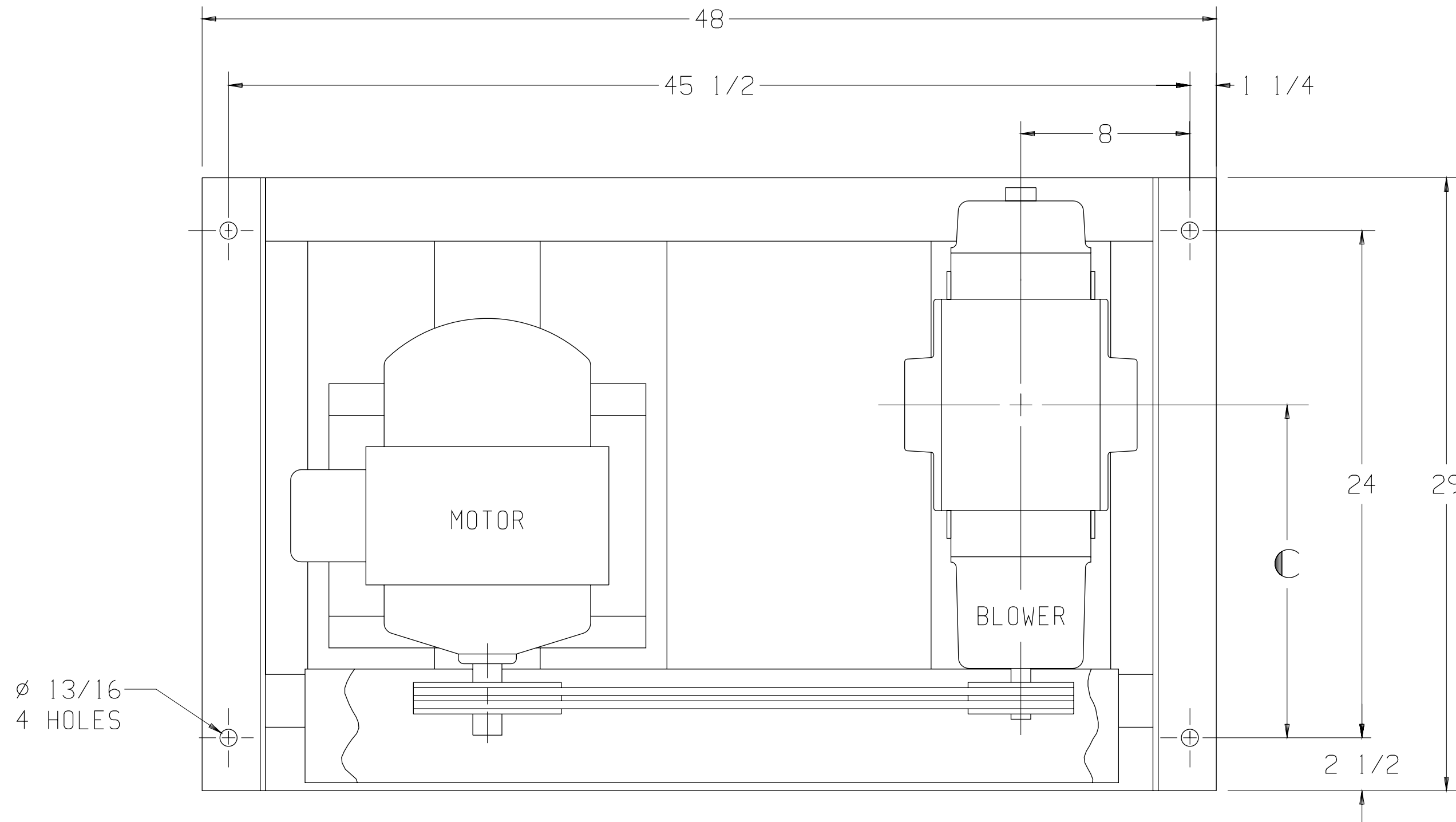
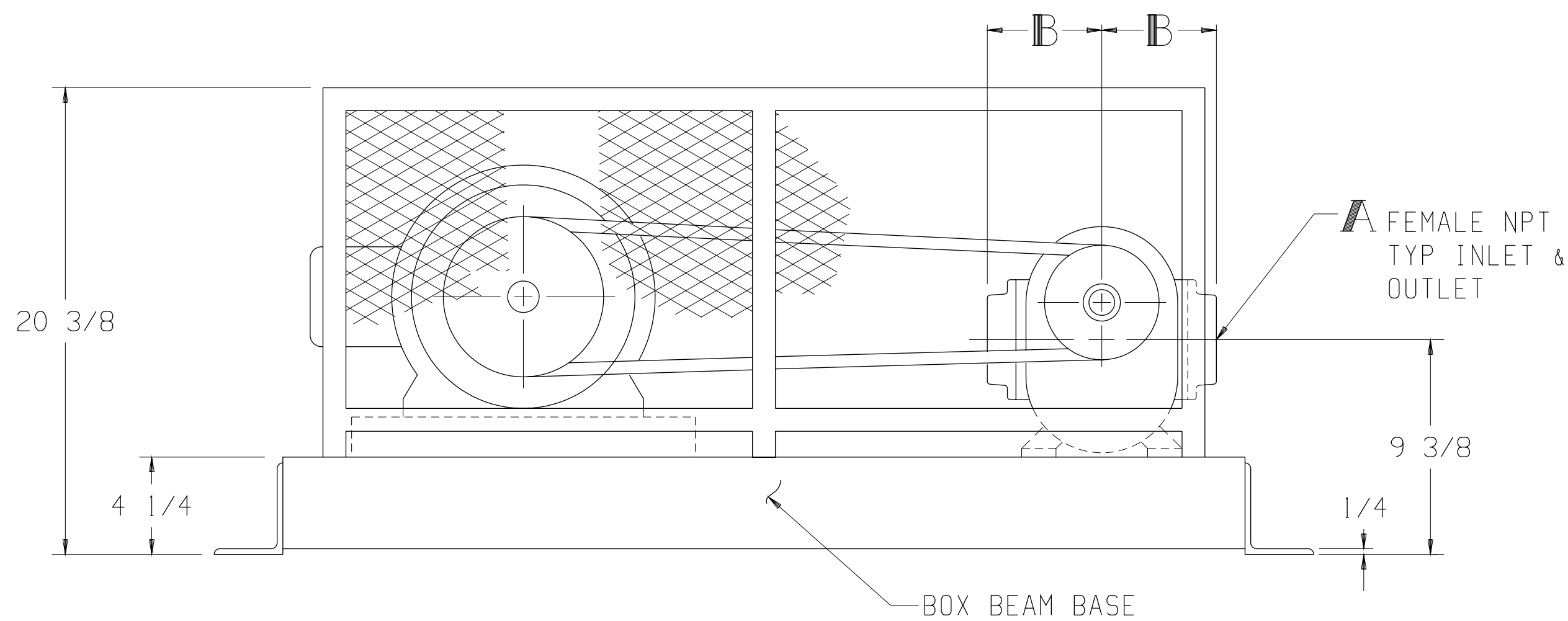


LTR	REVISION	DATE	DR	CH
B	REMOVED 16 SERIES (ECN 4767)	7-24-06	CM	CM



BLOWER	A	B	C
3206-17/57/64	2 1/2 NPT	5	13 3/4
3210-17/57/64	3 NPT	5 1/2	15 3/4

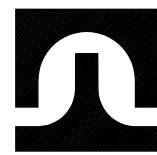
MOTOR-W/SLIDE BASE 1800 RPM, 230/460 V, 3 PH, 60 HZ		
HP	FRAME	TYPE
3	182T	ODP
5	184T	TEFC
7 1/2	213T	TEXP
10	215T	SEVERE DUTY TEFC
15	254T	SEVERE DUTY TEXP
20	256T	



APPROXIMATE WEIGHT

BASE, DRIVE, & GUARD-	225 LBS
BLOWER	- ___ LBS
MOTOR & SLIDE BASE	- ___ LBS
TOTAL WEIGHT	- ___ LBS

THIS OUTLINE APPLIES TO THE BLOWERS
AND MOTORS SHOWN IN TABLES



TUTHILL
Vacuum & Blower Systems
Springfield, Missouri USA

BASE MOUNTED OUTLINE B3200HV3

SIZE: C2	
DR CM 3-29-90	CH LB 4-3-90