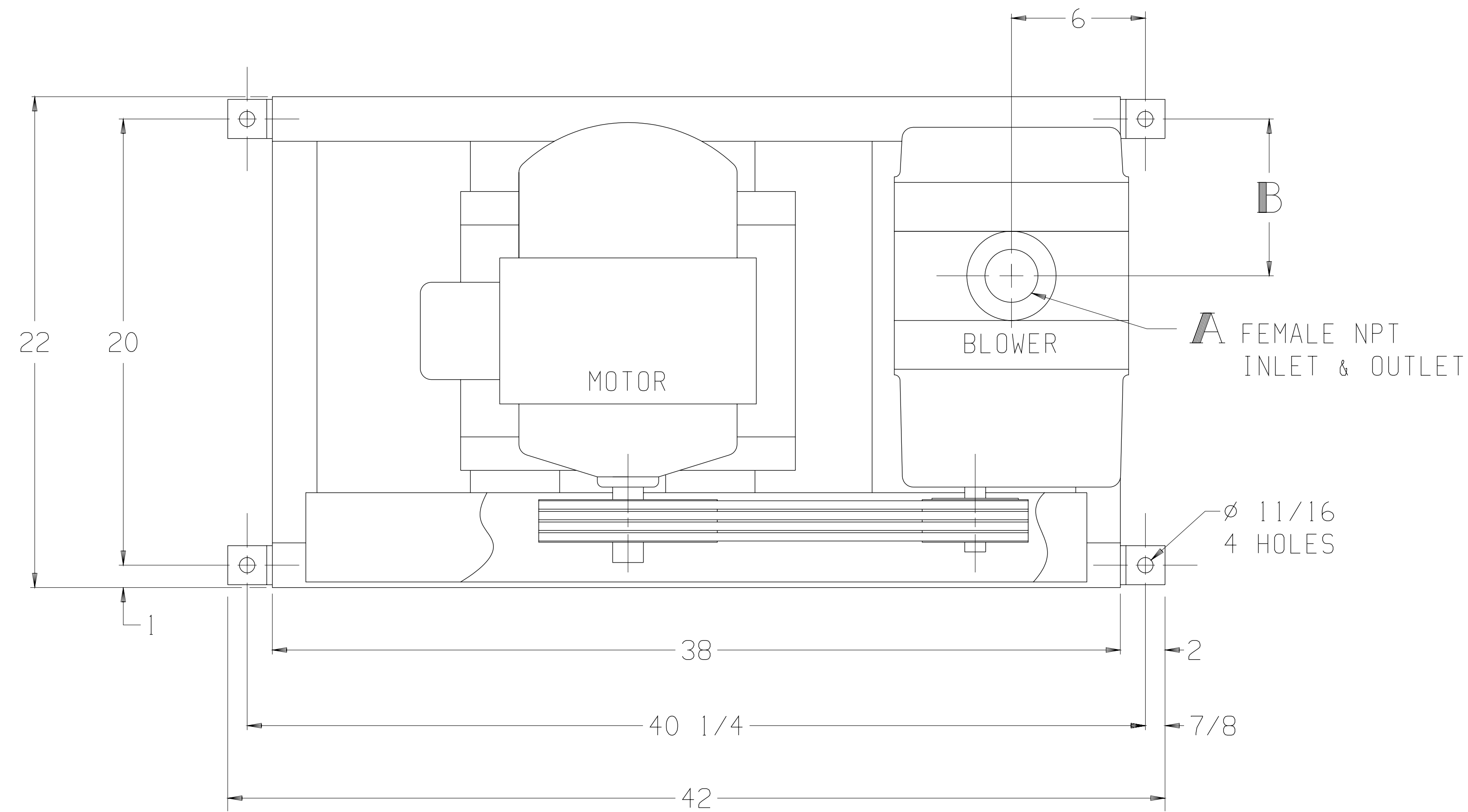
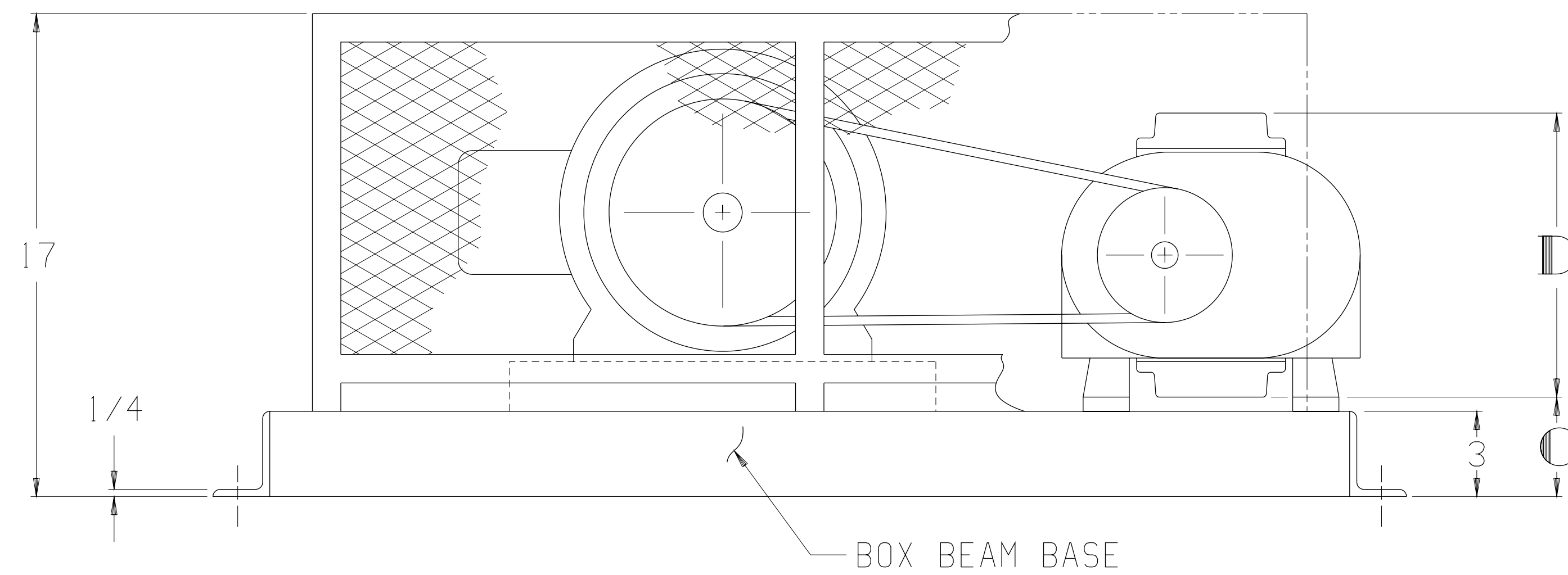


LTR	REVISION	DATE	DR	CH
D	REMOVED 47 SERIES (ECN 4767)	7-24-06	CM	CM



MOTOR W/SLIDE BASE		
1800 RPM, 230/460 V, 3 PH, 60 HZ		
HP	FRAME	TYPE
2	145T	ODP
3	182T	TEFC
5	184T	TEXP
7½	213T	SEVERE DUTY TEFC
10	215T	SEVERE DUTY TEXP

BLOWER	A	B	C	D
3202-46/81	1½ NPT	8⅛	4½	8
3204-46/81	2 NPT	7¾	3½	10



APPROXIMATE WEIGHT

BASE, DRIVE, & GUARD-	128	LBS
BLOWER	-	___ LBS
MOTOR & SLIDE BASE	-	___ LBS
TOTAL WEIGHT	-	___ LBS

THIS OUTLINE APPLIES TO THE BLOWERS AND MOTORS SHOWN IN TABLES.



BASE MOUNTED OUTLINE B3200VV1

SIZE:
C2

DR LM 7-14-89

CH LB 8-14-89