

LTR	REVISION	DATE	DR	CH
B	REMOVED 47 SERIES (ECN 4767)	7-24-06	CM	CM

BLOWER	DISCHARGE SILENCER	D	E	F
3202	27329-015	1½ NPT	8	25¼
3204	24113-020	2 NPT	6¾	34½

BLOWER	FILTER (OPTIONAL) ²	G
3202	26512-015X	31¾
3204	26512-020X	32½

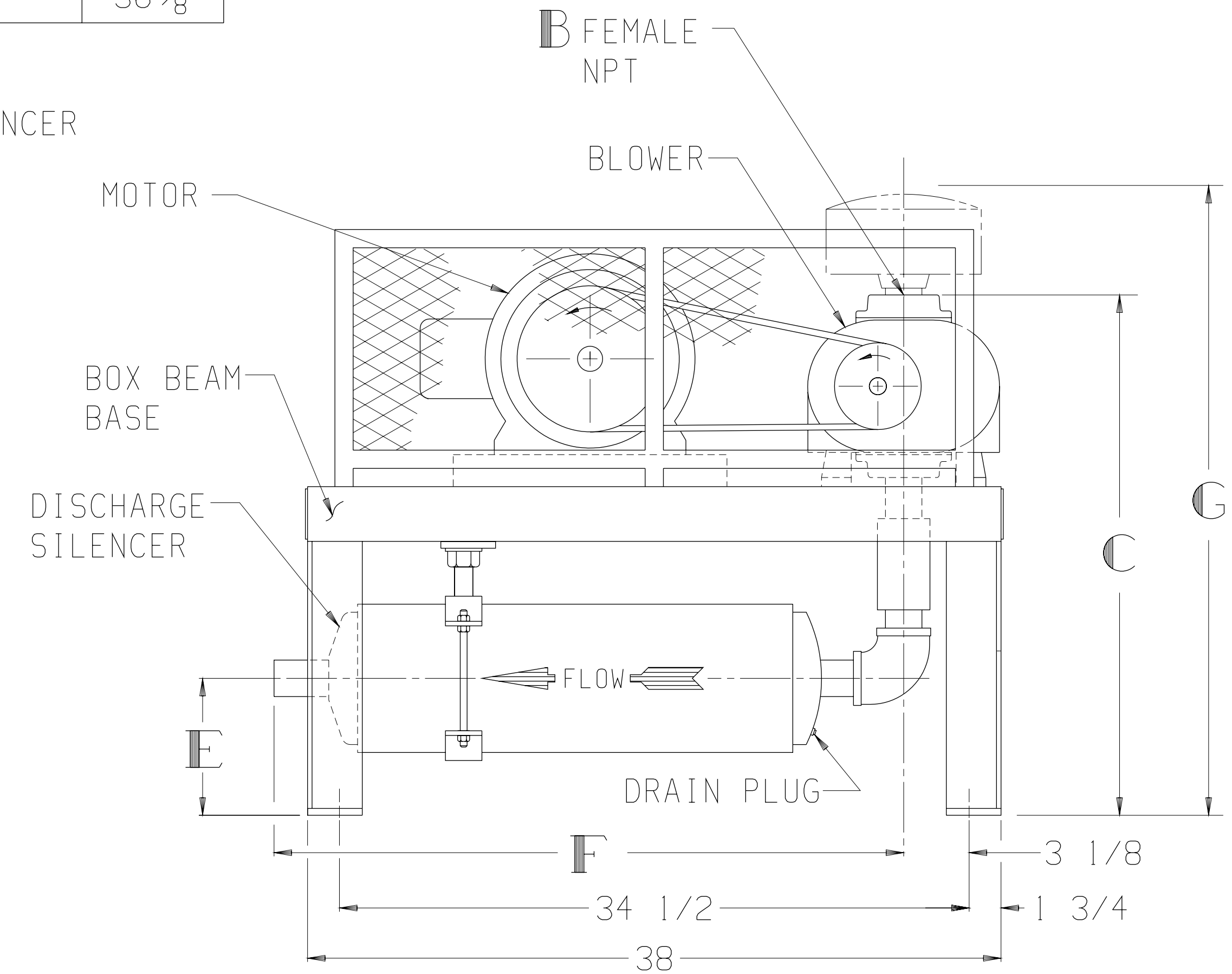
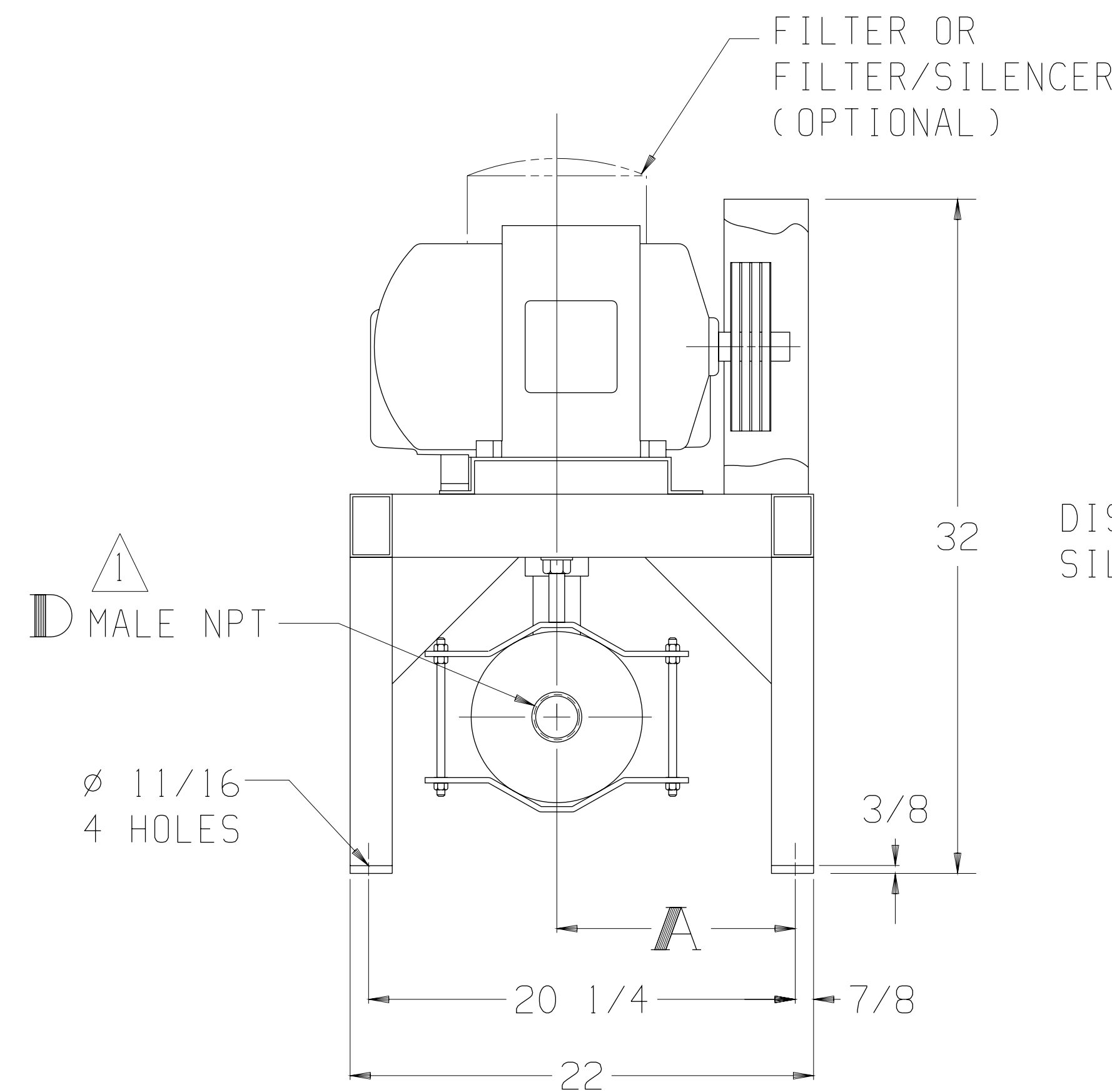
BLOWER	A	B	C
3202-46/81	12	1½ NPT	27½
3204-46/81	12¾	2 NPT	28½

BLOWER	FILTER/SILENCER (OPTIONAL) ²	G
3202	26312-015X	35¾
3204	26312-020X	36¾

MOTOR W/SLIDE BASE 1800 RPM, 230/460 V, 3 PH, 60 HZ		
HP	FRAME	TYPE
2	145T	ODP
3	182T	TEFC
5	184T	TEXP
7½	213T	SEVERE DUTY TEFC
10	215T	SEVERE DUTY TEXP

APPROXIMATE WEIGHT

BASE, DRIVE, & GUARD-	170	LBS
BLOWER	-	___
MOTOR & SLIDE BASE	-	___
SILENCER	-	___
FILTER	-	___
TOTAL WEIGHT	-	___



THIS OUTLINE APPLIES TO THE BLOWERS AND MOTORS SHOWN IN TABLES.

NOTE:

¹ CONNECTION SIZE SHOWN IN TABLE ABOVE IS A STANDARD CONNECTION. WHEN REQUESTED, CONNECTION OTHER THAN STANDARD CAN BE SUPPLIED. IF SO, IT IS A _____ OUTLET CONNECTION.

² AN "X" IN A PART NUMBER INDICATES NEEDED INFORMATION FOR A COMPLETE PART NUMBER

TUTHILL
Vacuum & Blower Systems
© Springfield, Missouri USA

BASE MOUNTED OUTLINE B3200VV1A-DS

SIZE: C2

DR LM 10-20-89 CH CM 10-19-89