

LTR	REVISION	DATE	DR	CH
D	REMOVED 47 SERIES (ECN 4767)	7-24-06	CM	CM

BLOWER	INTAKE SILENCER	B	C	D	E
3202	25877-015	1 1/2 NPT	42	44 3/4	25 1/4
3204	26561-020	2 NPT	41 1/4	44 3/4	30

BLOWER	A
3202-46/81	12
3204-46/81	12 3/4

BLOWER	DISCHARGE SILENCER	F	G	H
3202	27329-015	1 1/2 NPT	8	25 1/4
3204	24113-020	2 NPT	6 3/4	34 1/2

FILTER (OPTIONAL)	J	K
26512-015X	5 13/16	5 3/4
26512-020X	6 1/4	6

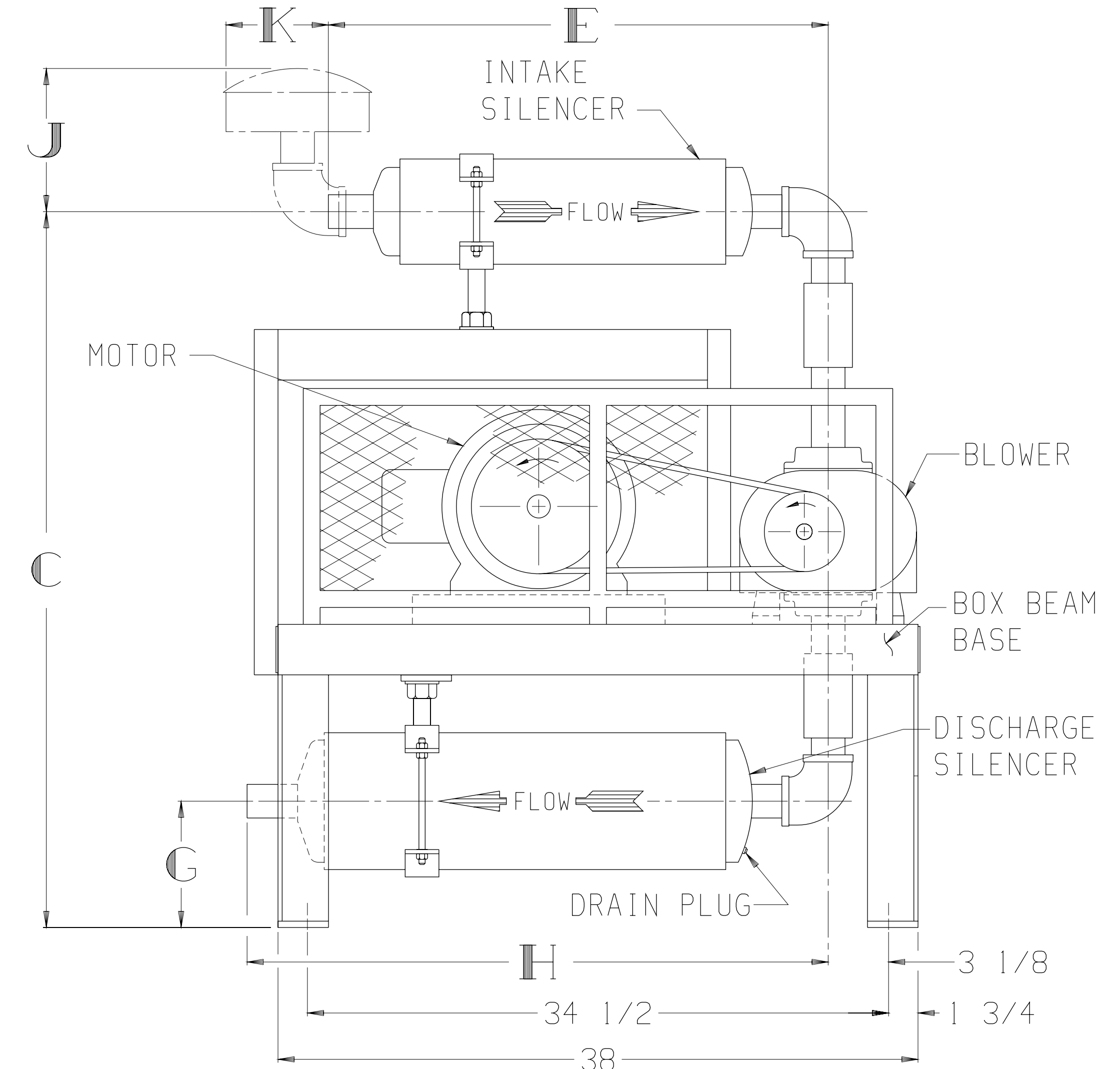
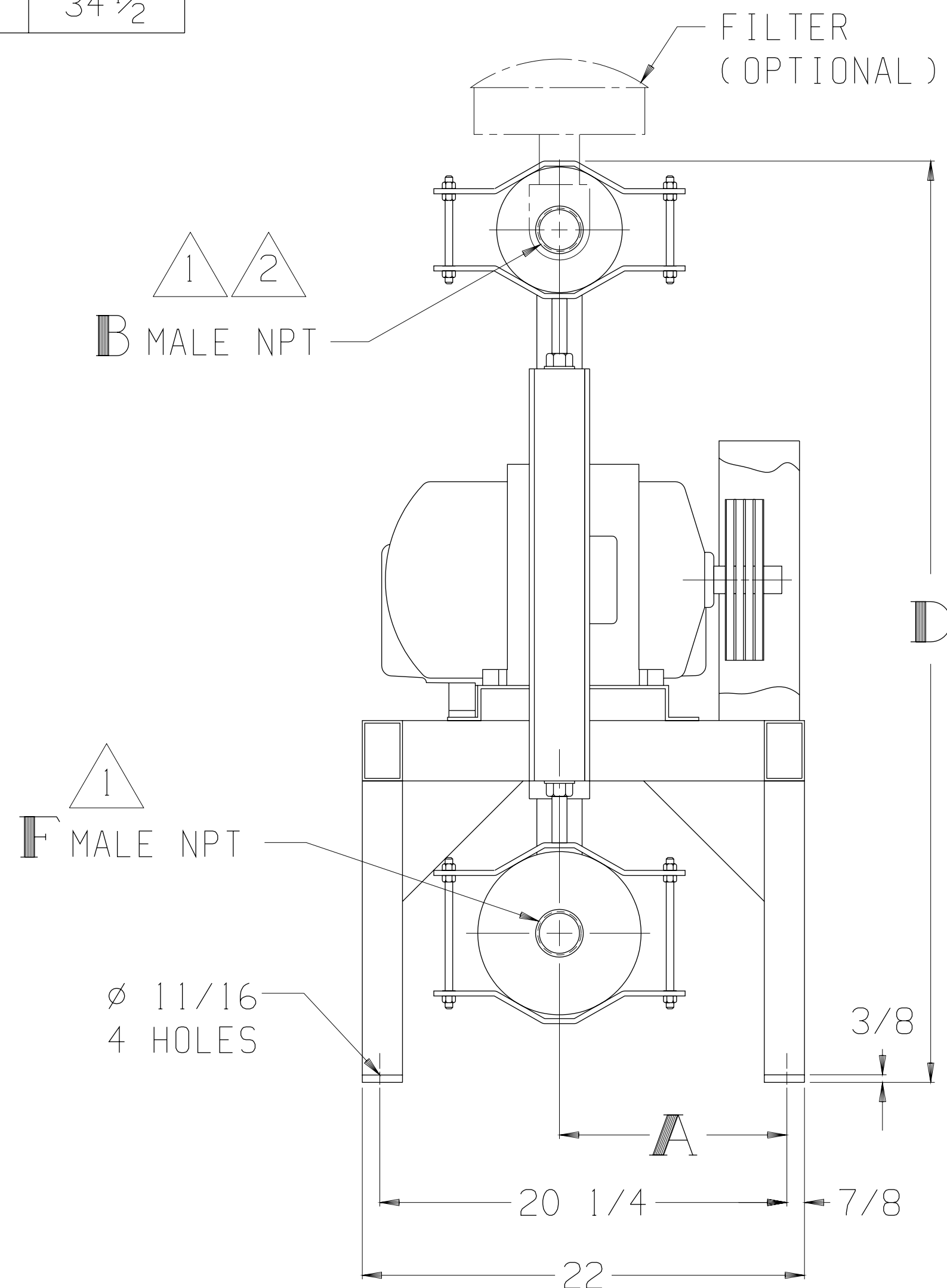
MOTOR W/SLIDE BASE		
1800 RPM, 230/460 V, 3 PH, 60 HZ		
HP	FRAME	TYPE
2	145T	ODP
3	182T	TEFC
5	184T	TEXP
7 1/2	213T	SEVERE DUTY TEFC
10	215T	SEVERE DUTY TEXP

APPROXIMATE WEIGHT

BASE, DRIVE, & GUARD-	200	LBS
BLOWER	-	___
MOTOR & SLIDE BASE	-	___
SILENCERS	-	___
FILTER	-	___
<b>TOTAL WEIGHT</b>	-	<b>___</b>

THIS OUTLINE APPLIES TO THE BLOWERS AND MOTORS SHOWN IN TABLES.

- NOTE:
- ① CONNECTION SIZES SHOWN IN TABLES ABOVE ARE STANDARD CONNECTIONS. WHEN REQUESTED, CONNECTIONS OTHER THAN STANDARD CAN BE SUPPLIED. IF SO, THEY ARE \_\_\_\_\_ INLET & \_\_\_\_\_ OUTLET CONNECTIONS.
  - ② SILENCER U5-1 1/2 IS SUPPLIED WITH A FEMALE NPT CONNECTION.
  - ③ AN "X" IN A PART NUMBER INDICATES NEEDED INFORMATION FOR A COMPLETE PART NUMBER



**TUTHILL**  
Vacuum & Blower Systems  
Springfield, Missouri USA

BASE MOUNTED OUTLINE B3200VV1A

SIZE: C2

DR LM 7-18-89 CH LB 8-14-89