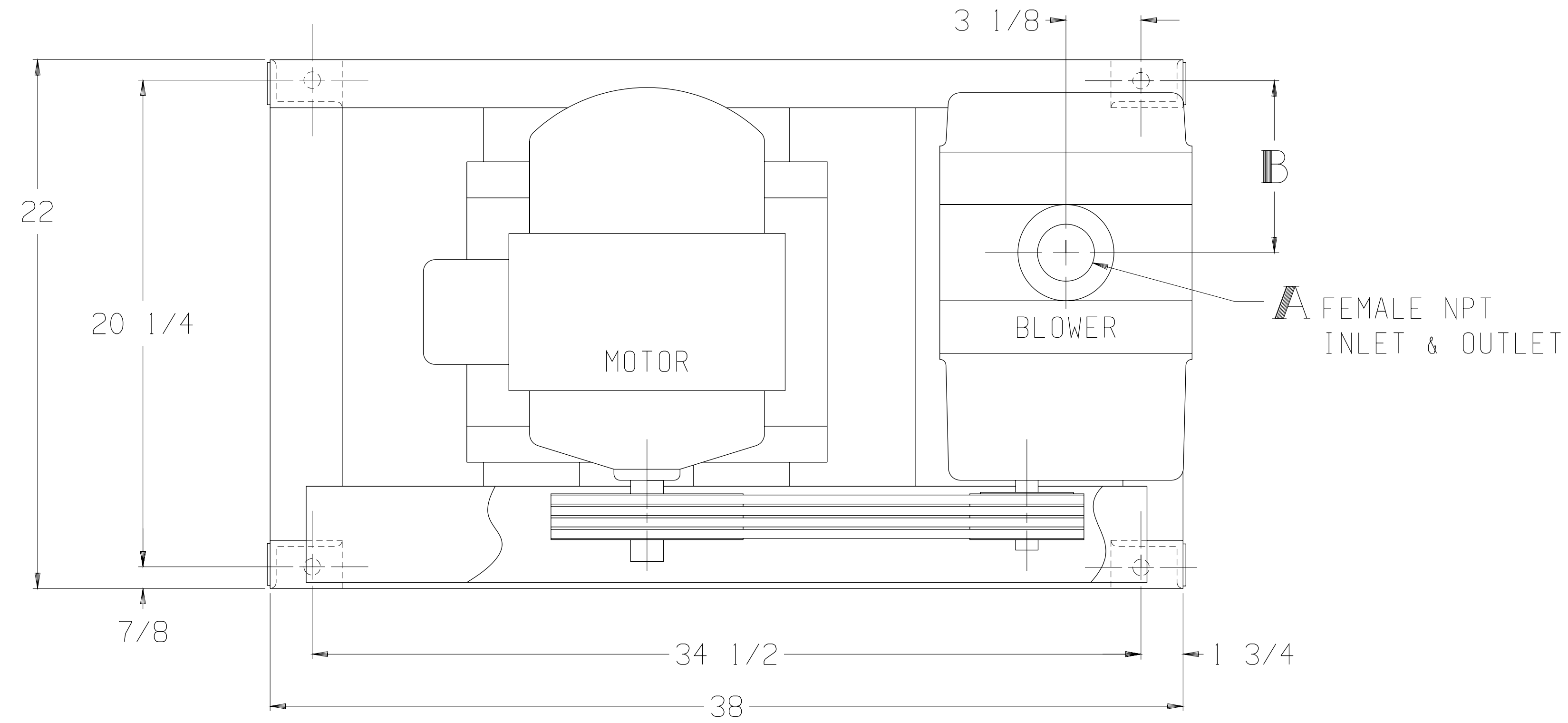


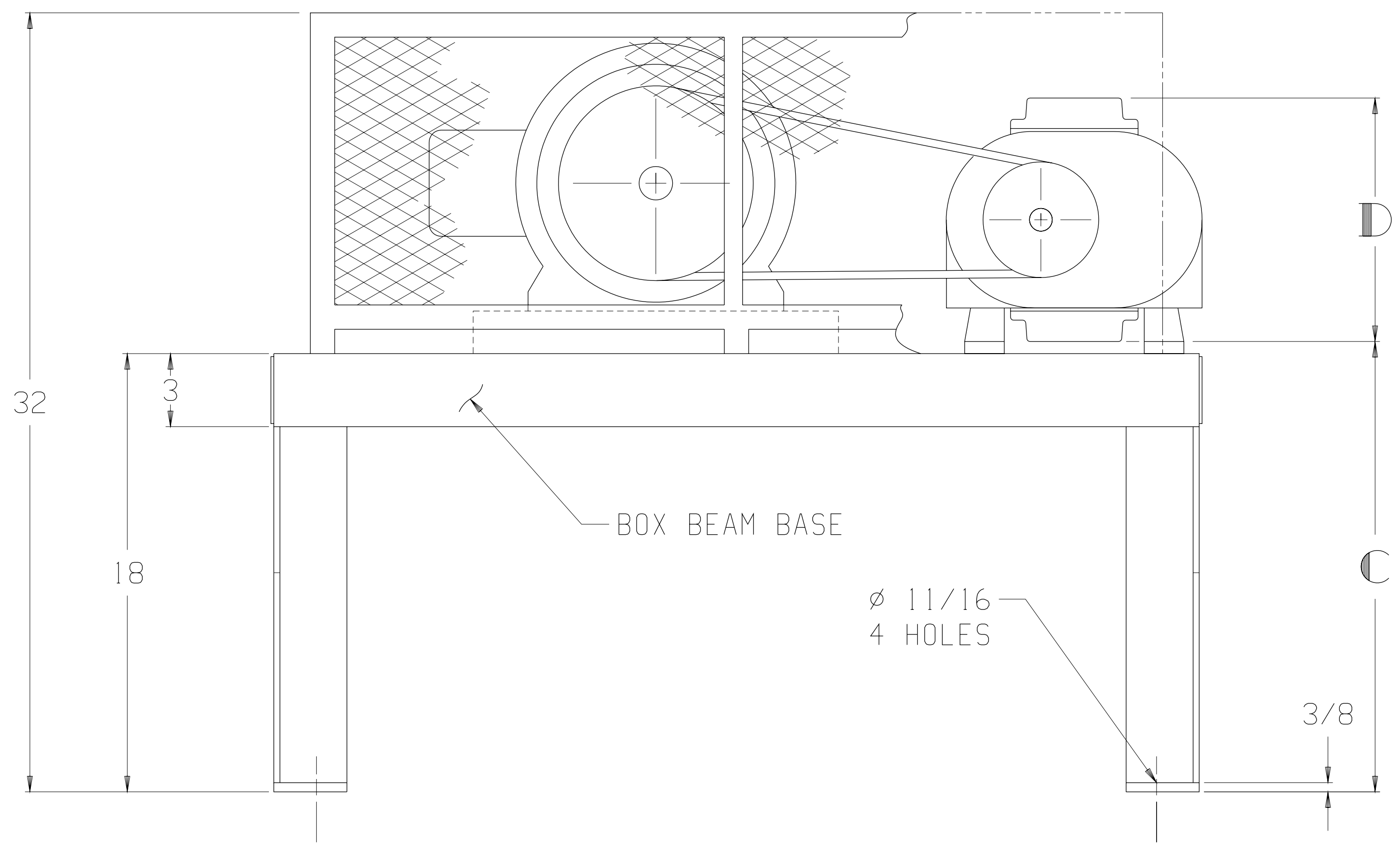
LTR	REVISION	DATE	DR	CH
C	REMOVED 47 SERIES (ECN 4767)	7-24-06	CM	CM



MOTOR W/SLIDE BASE
1800 RPM, 230/460 V, 3 PH, 60 HZ

HP	FRAME	TYPE
2	145T	ODP
3	182T	TEFC
5	184T	TEXP
7 1/2	213T	SEVERE DUTY TEFC
10	215T	SEVERE DUTY TEXP

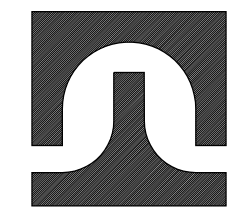
BLOWER	A	B	C	D
3202-46/81	1 1/2 NPT	8 1/4	19 1/2	8
3204-46/81	2 NPT	7 1/2	18 1/2	10



APPROXIMATE WEIGHT

BASE, DRIVE, & GUARD-	154	LBS
BLOWER	-	___
MOTOR & SLIDE BASE	-	___
TOTAL WEIGHT	-	___

THIS OUTLINE APPLIES TO THE BLOWERS AND MOTORS SHOWN IN TABLES.



TUTHILL
Vacuum & Blower Systems
Springfield, Missouri USA

BASE MOUNTED OUTLINE B3200VV1L

SIZE: C2	
-------------	--

DR LM 7-14-89 CH LB 8-14-89