

LTR	REVISION	DATE	DR	CH
B	REMOVED 47 SERIES (ECN 4767)	7-24-06	CM	CM

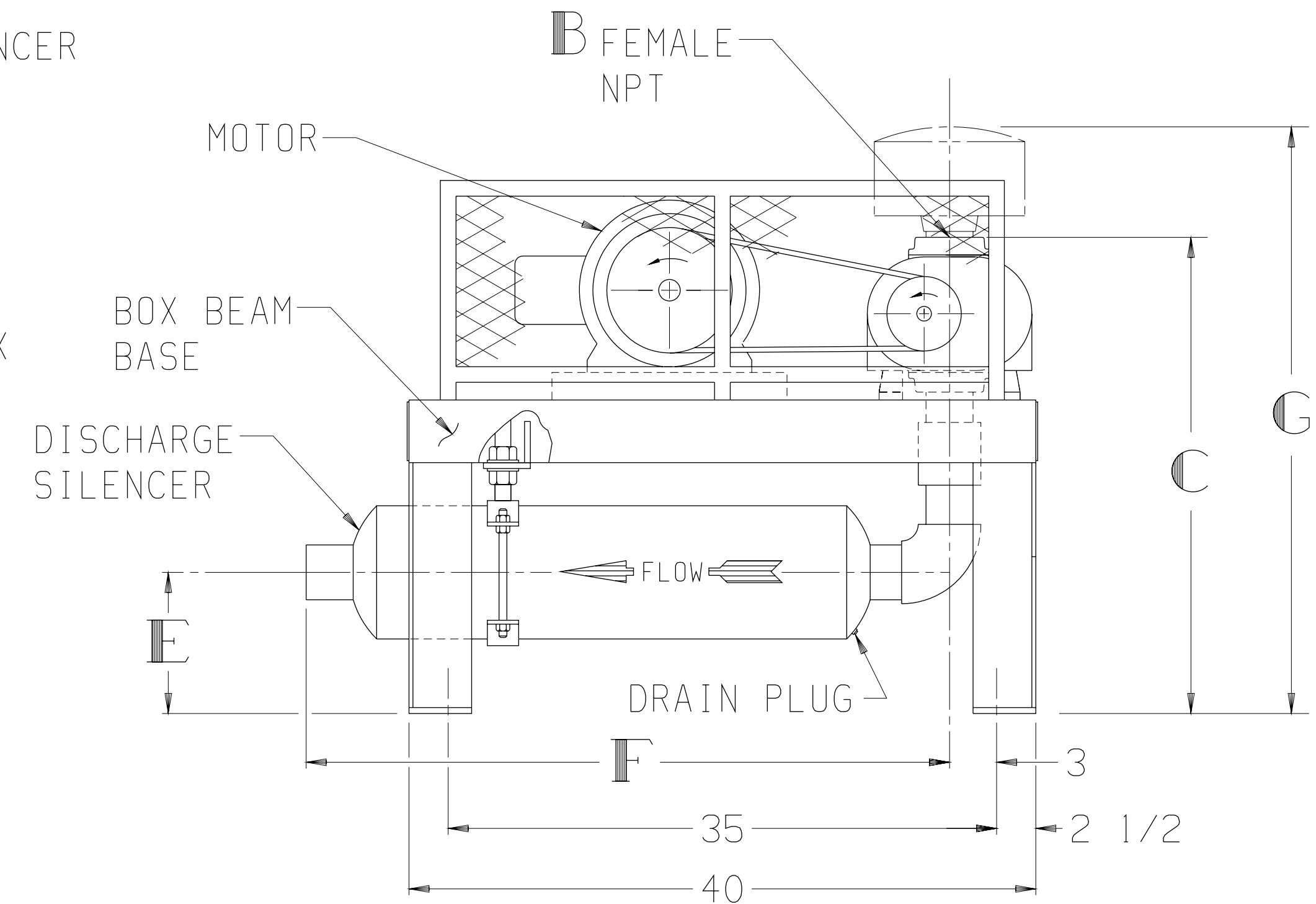
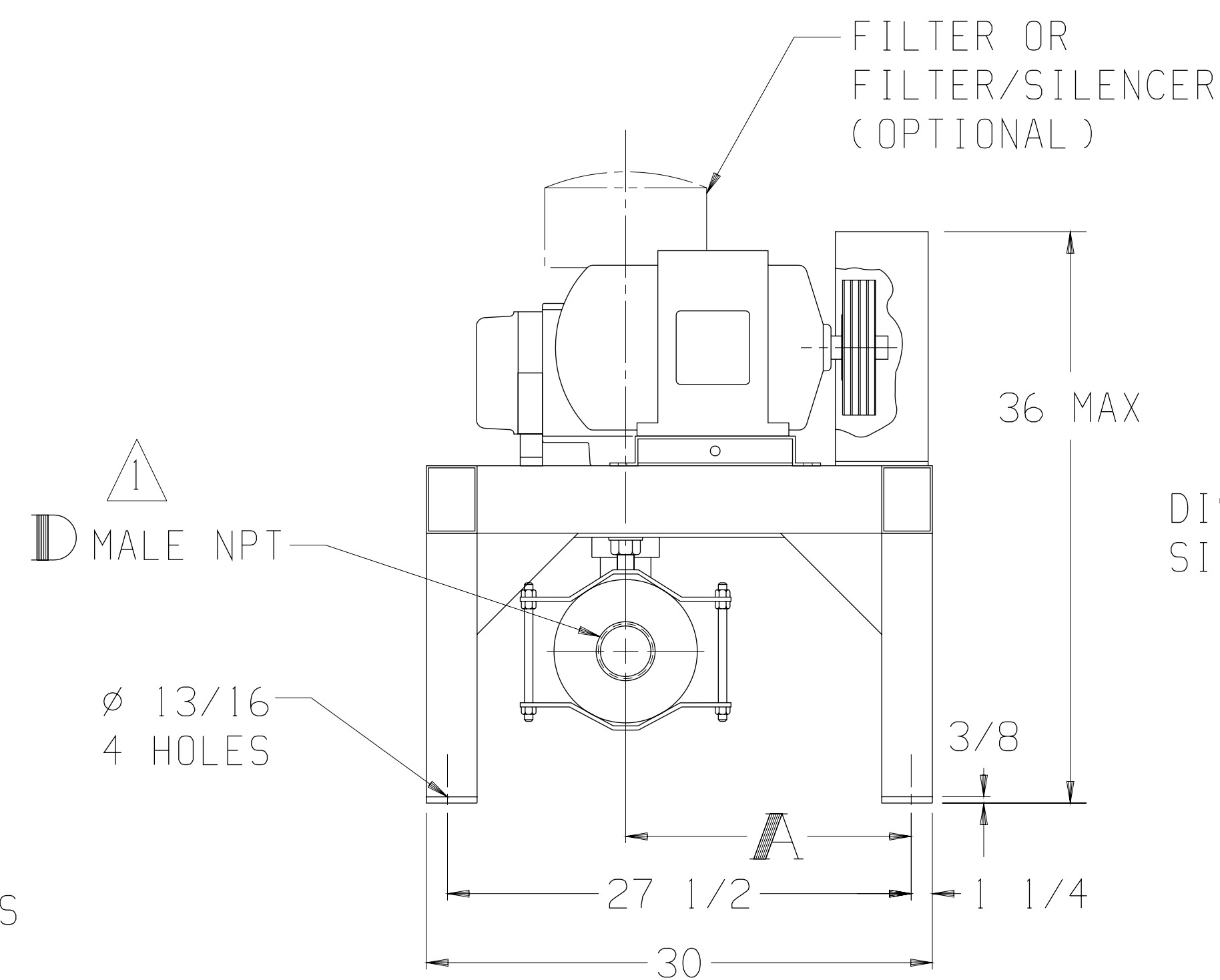
BLOWER	DISCHARGE SILENCER	D	E	F
3206	24113-020	2 NPT	7 1/4	34 1/2
	24113-025	2 1/2 NPT	7 3/4	35 3/4
3210	24113-020	2 NPT	8 3/4	34 1/2
	24113-025	2 1/2 NPT	7 3/4	35 3/4
	24113-030	3 NPT	7	48

BLOWER	A	B	C
3206-46/81	14 15/16	2 1/2 NPT	30 1/2
3210-46/81	16 15/16	3 NPT	31

BLOWER	FILTER (OPTIONAL) ^{△2}	G
3206	26512-020X	35 5/16
	26512-025X	38 5/8
3210	26512-020X	35 5/8
	26512-025X	39 13/16
	26512-030X	39 1/8

BLOWER	FILTER/SILENCER (OPTIONAL) ^{△2}	G
3206	26312-020X	39 11/16
	26312-025X	48 13/16
3210	26312-020X	40
	26312-025X	50
	26312-030X	49 5/16

MOTOR W/SLIDE BASE 1800 RPM, 230/460 V, 3 PH, 60 HZ		
HP	FRAME	TYPE
3	182T	ODP
5	184T	TEFC
7 1/2	213T	TEXP
10	215T	SEVERE DUTY TEFC
15	254T	SEVERE DUTY TEXP
20	256T	
25	284T	



THIS OUTLINE APPLIES TO THE BLOWERS AND MOTORS SHOWN IN TABLES

NOTE:

^{△1} CONNECTION SIZE SHOWN IN TABLE ABOVE IS A STANDARD CONNECTION. WHEN REQUESTED, CONNECTION OTHER THAN STANDARD CAN BE SUPPLIED. IF SO, IT IS A _____ OUTLET CONNECTION.

^{△2} AN "X" IN A PART NUMBER INDICATES NEEDED INFORMATION FOR A COMPLETE PART NUMBER

APPROXIMATE WEIGHT	
BASE, DRIVE, & GUARD	300 LBS
BLOWER	___ LBS
MOTOR & SLIDE BASE	___ LBS
SILENCER	___ LBS
FILTER	___ LBS
TOTAL WEIGHT	___ LBS



BASE MOUNTED OUTLINE B3200VV2A-DS

SIZE:
C2

DR LM 10-19-89

CH CM 10-19-89