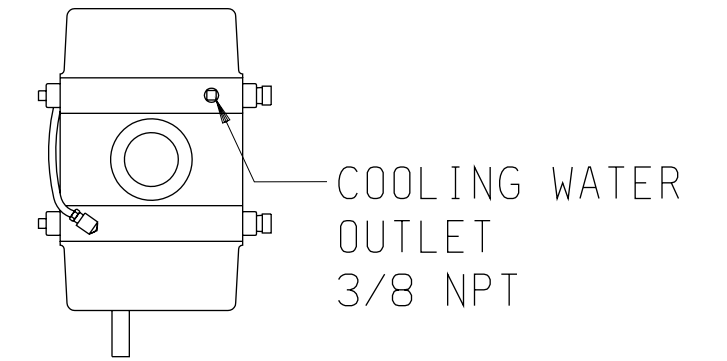


LTR	REVISION	DATE	DR	CH
A	RE-ROUTED WATER HOSE TO LEFT SIDE (ECN 2991)	4-3-97	SM	LB
B	REVISED DIM G (ECN 3412)	6-28-99	BD	CWM

BLOWER	DISCHARGE SILENCER	D	E	F
3206	24113-020	2 NPT	7 1/4	34 1/2
	24113-025	2 1/2 NPT	7 3/4	35 3/4
3210	24113-020	2 NPT	8 3/4	34 1/2
	24113-025	2 1/2 NPT	7 3/4	35 3/4
	24113-030	3 NPT	7	48

BLOWER	FILTER (OPTIONAL)	G
3206	26512-020	35 5/16
	26512-025	38 5/8
3210	26512-020	35 5/8
	26512-025	39 13/16
	26512-030	39 1/8

BLOWER	FILTER/SILENCER (OPTIONAL)	G
3206	26312-020	39 11/16
	26312-025	48 13/16
3210	26312-020	40
	26312-025	50
	26312-030	49 5/16



BLOWER	A	B	C
3206-46E/81E	14 15/16	2 1/2 NPT	30 1/2
3210-46E/81E	16 15/16	3 NPT	31

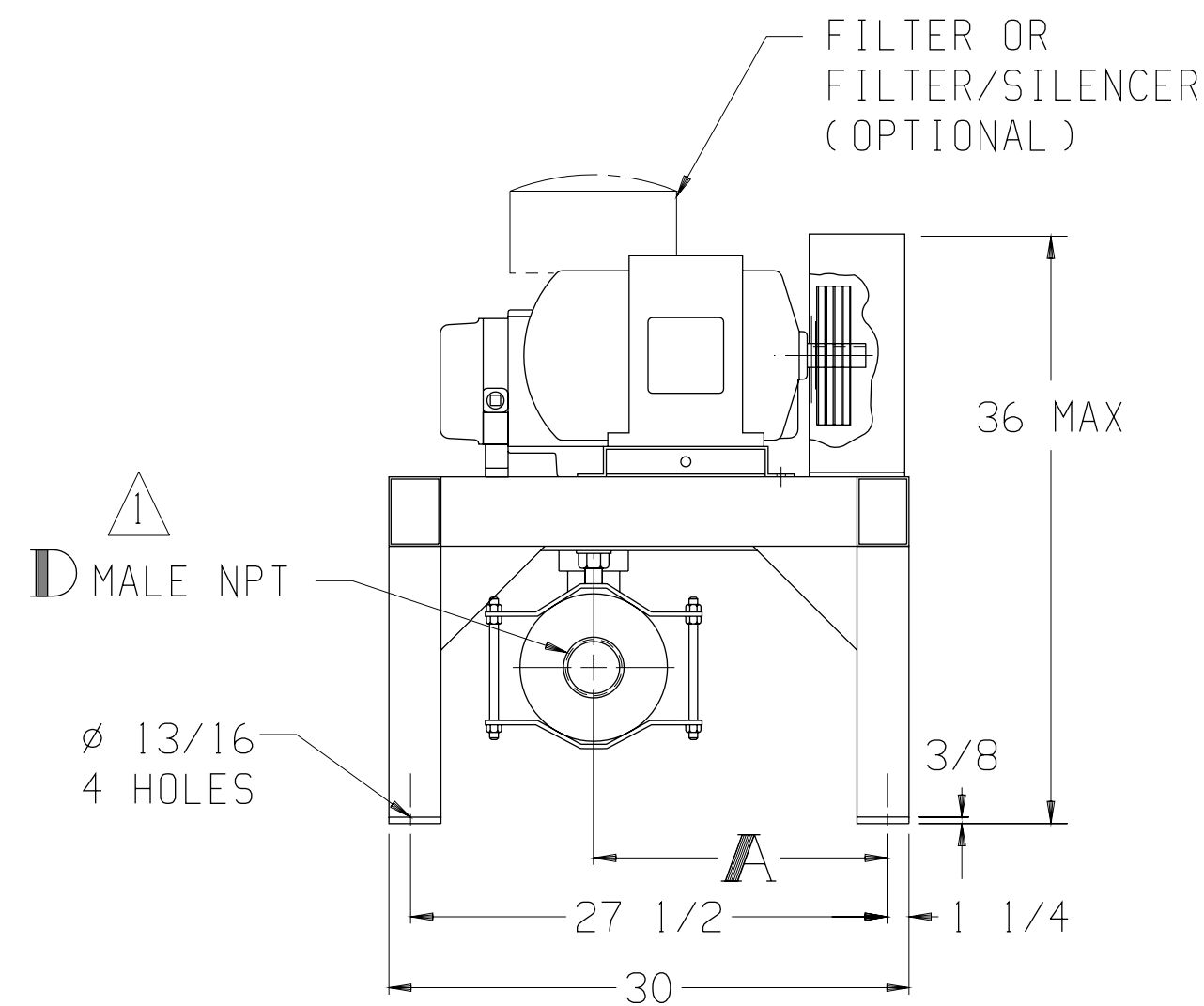
MOTOR W/SLIDE BASE 1800 RPM, 230/460 V, 3 PH, 60 HZ		
HP	FRAME	TYPE
3	182T	ODP
5	184T	TEFC
7 1/2	213T	TEXP
10	215T	SEVERE DUTY TEFC
15	254T	SEVERE DUTY TEFC
20	256T	SEVERE DUTY TEXP
25	284T	SEVERE DUTY TEXP

APPROXIMATE WEIGHT

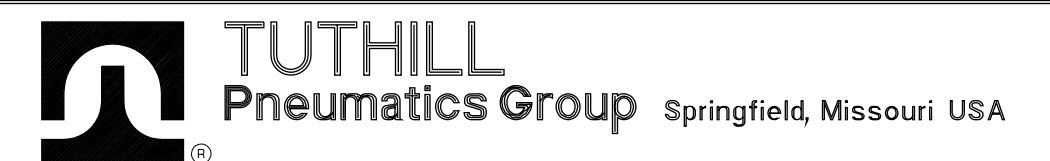
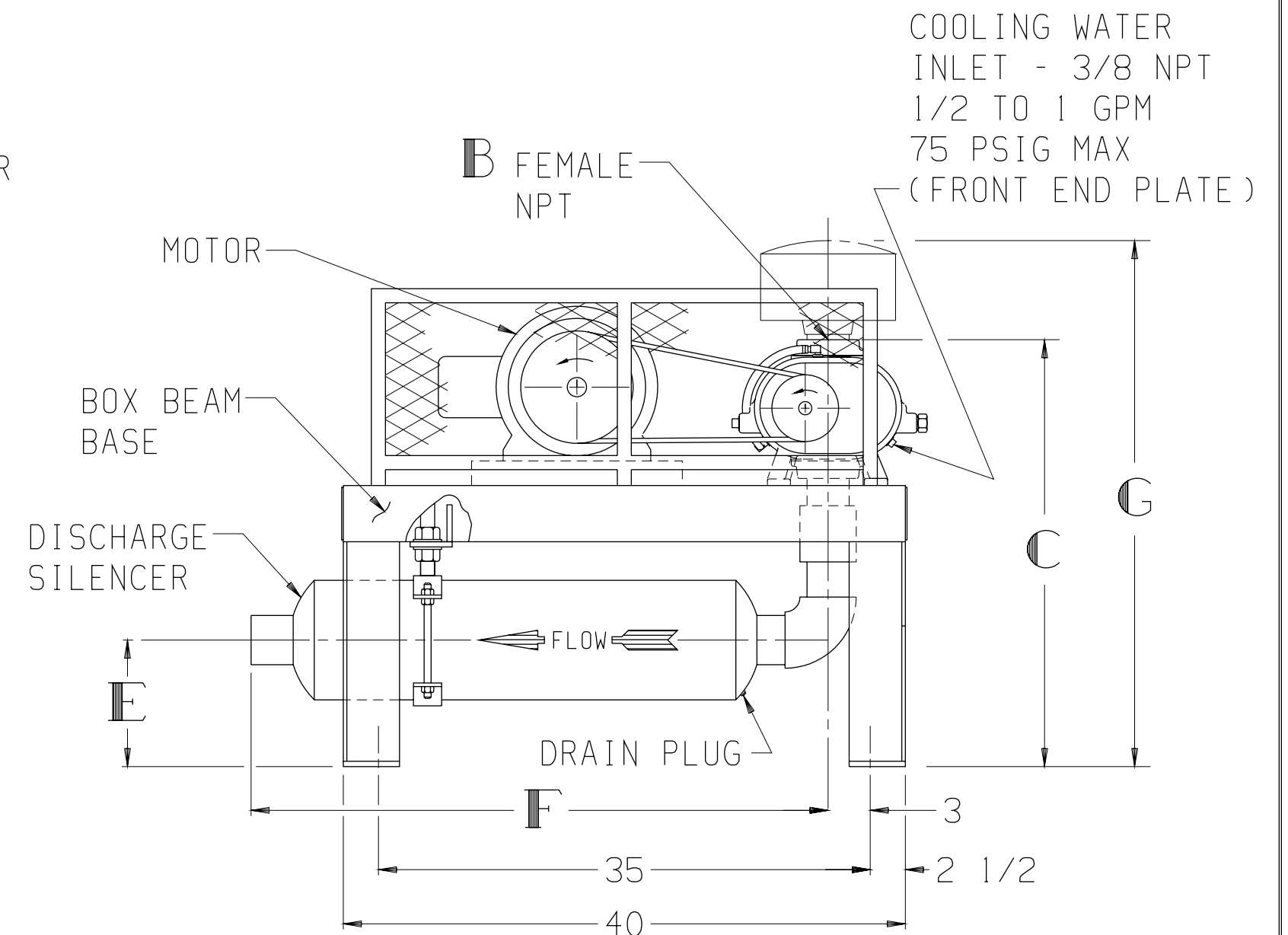
BASE, DRIVE, & GUARD	300	LBS
BLOWER	___	LBS
MOTOR & SLIDE BASE	___	LBS
SILENCER	___	LBS
FILTER	___	LBS

TOTAL WEIGHT \_\_\_\_\_ LBS

NOTE: CONNECTION SIZE SHOWN IN TABLE ABOVE IS A STANDARD CONNECTION. WHEN REQUESTED, A CONNECTION OTHER THAN STANDARD CAN BE SUPPLIED. IF SO, IT IS \_\_\_\_\_ OUTLET CONNECTION.



THIS OUTLINE APPLIES TO THE BLOWERS AND MOTORS SHOWN IN TABLES



BASE MOUNTED OUTLINE B3200VV2A-DSE

SIZE:  
C2

DR JS 4-28-92

CH BD 4-30-92