

LTR	REVISION	DATE	DR	CH
A	CHANGED HOSE LOCATION (ECN 1164)	10-12-89	MJ	CM
B	RE-ROUTED WATER HOSE TO LEFT SIDE (ECN 2991)	4-3-97	SM	LB
C	REMOVED 47 SERIES BLOWER FROM TABLE (ECN 3088)	7-29-97	CM	LB
D	REVISED DIMS J & K (ECN 3412)	6-28-99	BD	CWM

BLOWER	INTAKE SILENCER	B	C	D	E
3206	26561-020	2 NPT	47 3/4	51 1/4	30
	26561-025	2 1/2 NPT	49 1/4	54	34 3/4
3210	26561-020	2 NPT	48 1/4	51 3/4	30
	26561-025	2 1/2 NPT	48 1/4	53	34 3/4
	26561-030	3 NPT	48	52 3/4	41

BLOWER	A
3206-46E/81E	14 15/16
3210-46E/81E	16 15/16

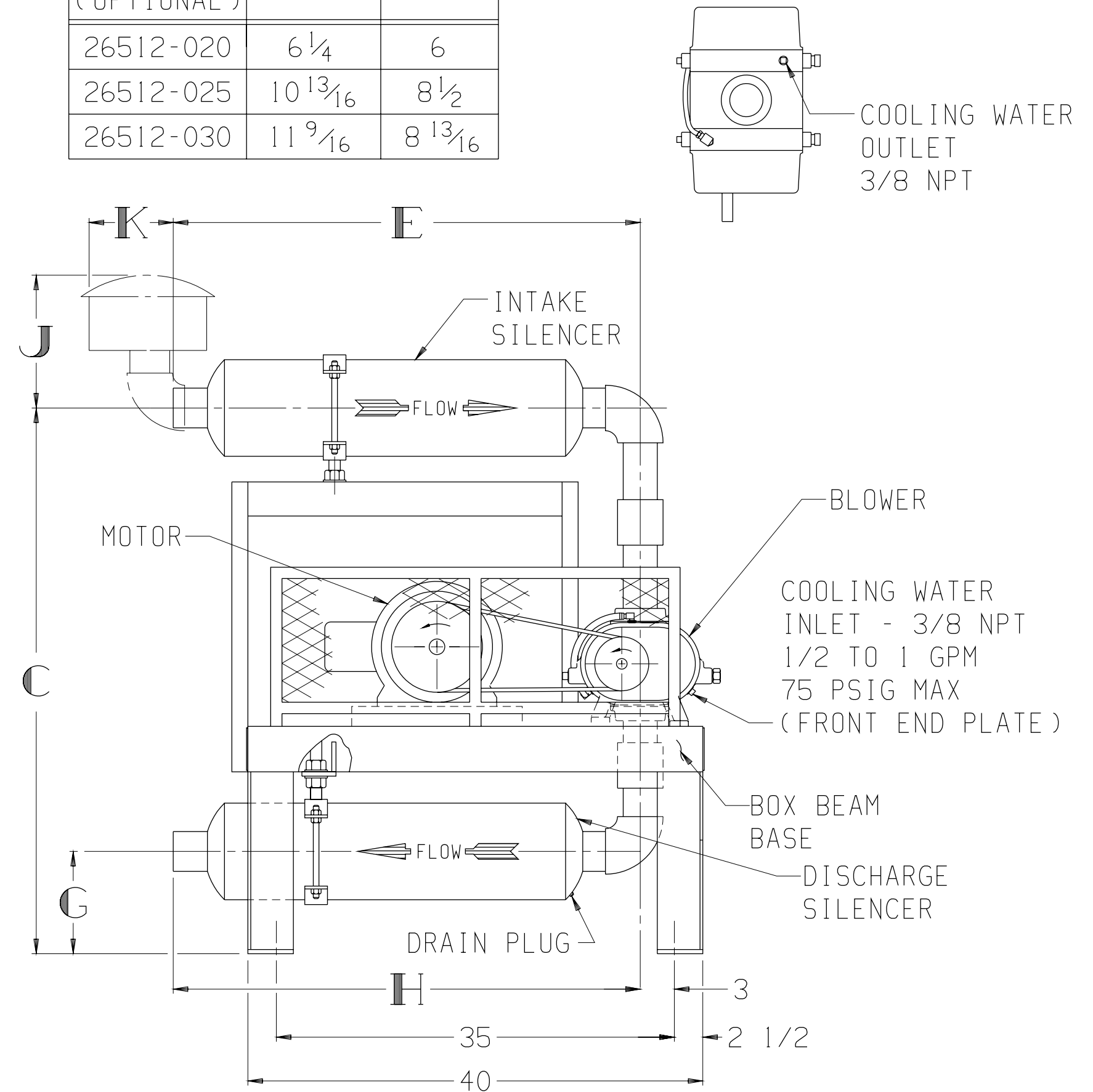
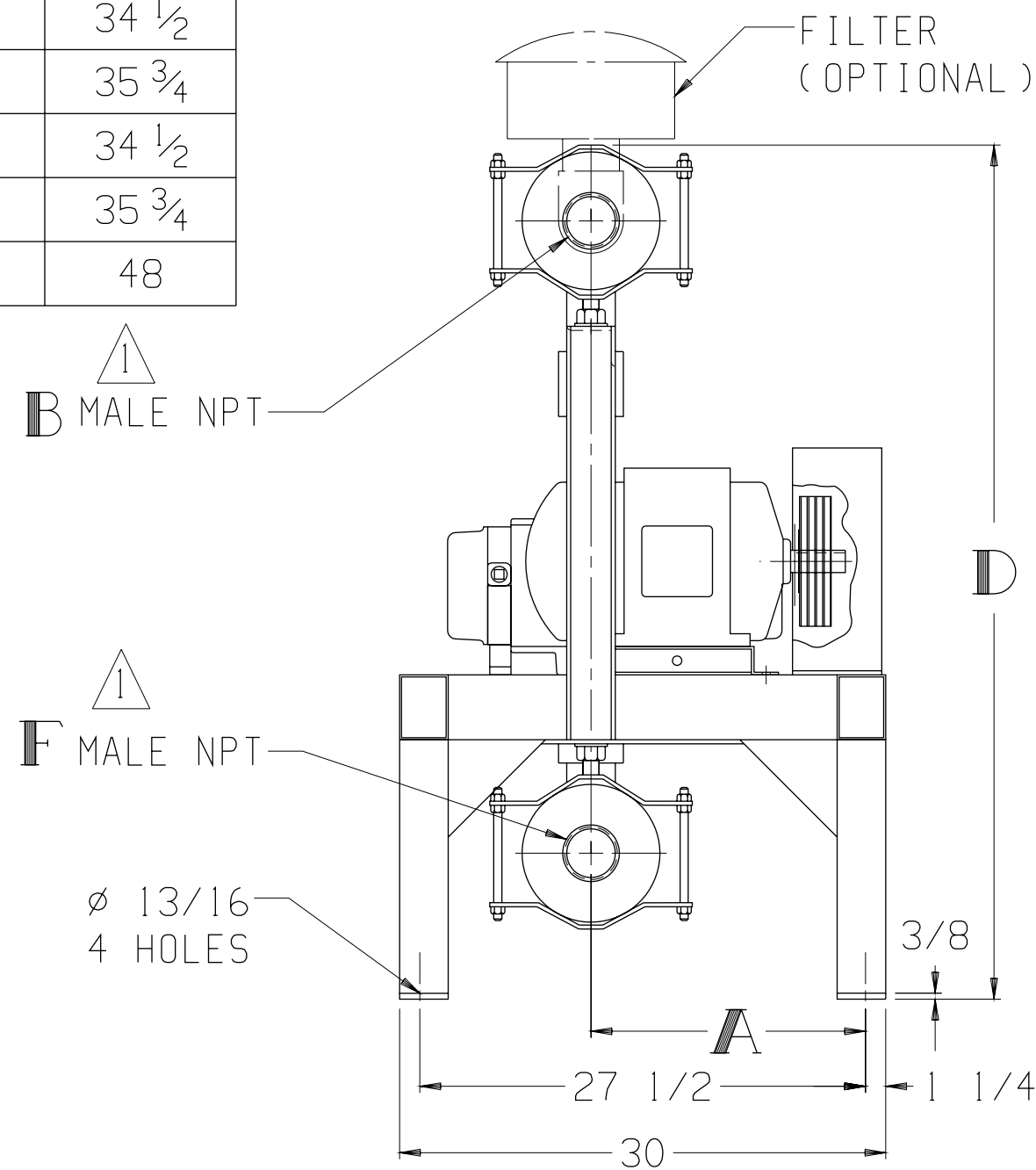
FILTER (OPTIONAL)	J	K
26512-020	6 1/4	6
26512-025	10 13/16	8 1/2
26512-030	11 9/16	8 13/16

BLOWER	DISCHARGE SILENCER	F	G	H
3206	24113-020	2 NPT	7 1/4	34 1/2
	24113-025	2 1/2 NPT	7 3/4	35 3/4
3210	24113-020	2 NPT	8 3/4	34 1/2
	24113-025	2 1/2 NPT	7 3/4	35 3/4
	24113-030	3 NPT	7	48

MOTOR W/SLIDE BASE 1800 RPM, 230/460 V, 3 PH, 60 HZ		
HP	FRAME	TYPE
3	182T	ODP
5	184T	TEFC
7 1/2	213T	TEXP
10	215T	SEVERE DUTY TEFC
15	254T	SEVERE DUTY TEFC
20	256T	SEVERE DUTY TEXP
25	284T	SEVERE DUTY TEXP

APPROXIMATE WEIGHT	
BASE, DRIVE, & GUARD	335 LBS
BLOWER	___ LBS
MOTOR & SLIDE BASE	___ LBS
SILENCERS	___ LBS
FILTER	___ LBS
TOTAL WEIGHT	___ LBS

NOTE:  CONNECTION SIZES SHOWN IN TABLES ABOVE ARE STANDARD CONNECTIONS. WHEN REQUESTED, CONNECTIONS OTHER THAN STANDARD CAN BE SUPPLIED. IF SO, THEY ARE ___ INLET & ___ OUTLET CONNECTIONS.



THIS OUTLINE APPLIES TO THE BLOWERS AND MOTORS SHOWN IN TABLES



BASE MOUNTED OUTLINE B3200VV2A-E

SIZE:
C2

DR MJ 8-29-89

CH BD 9-1-89