

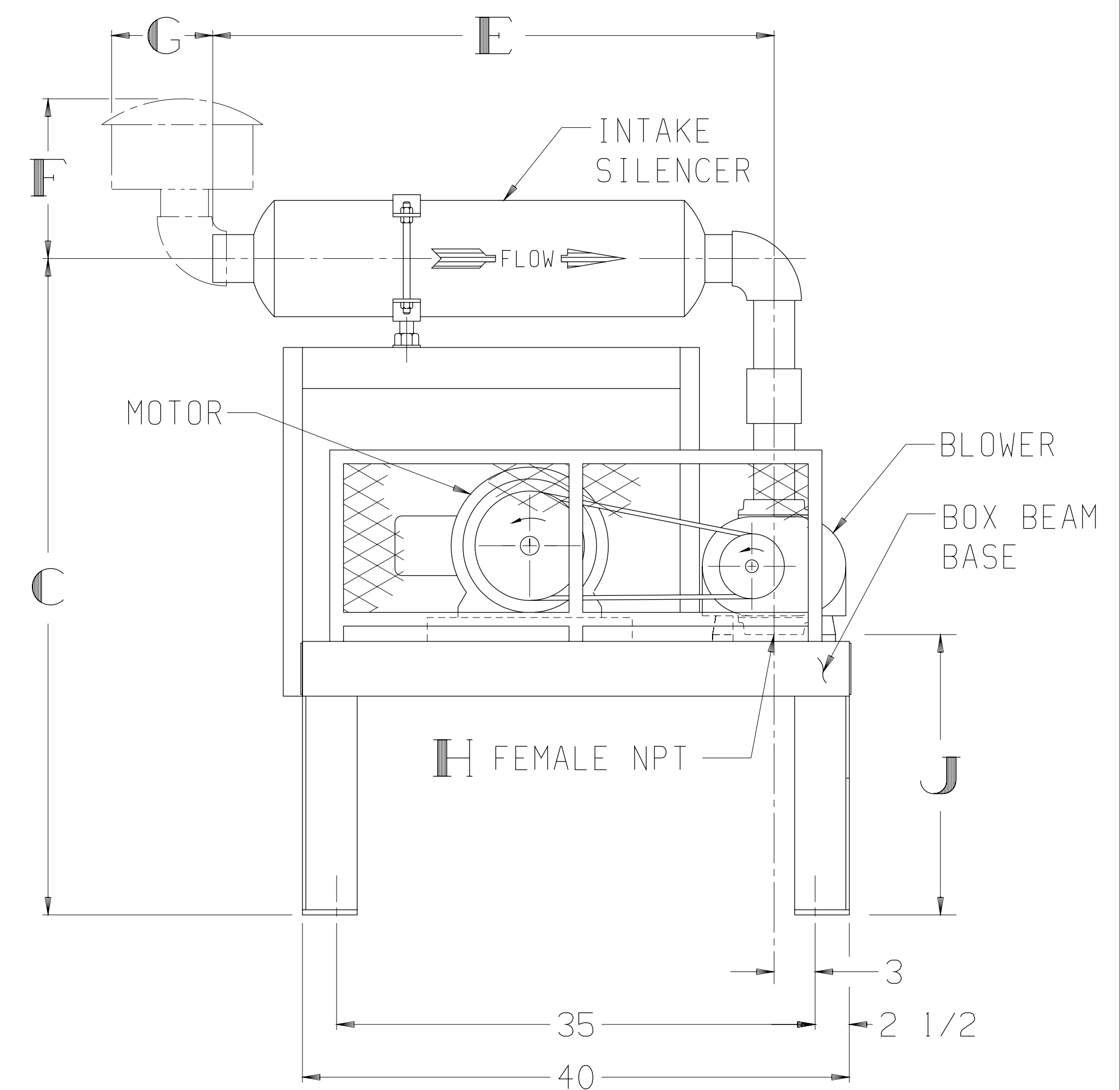
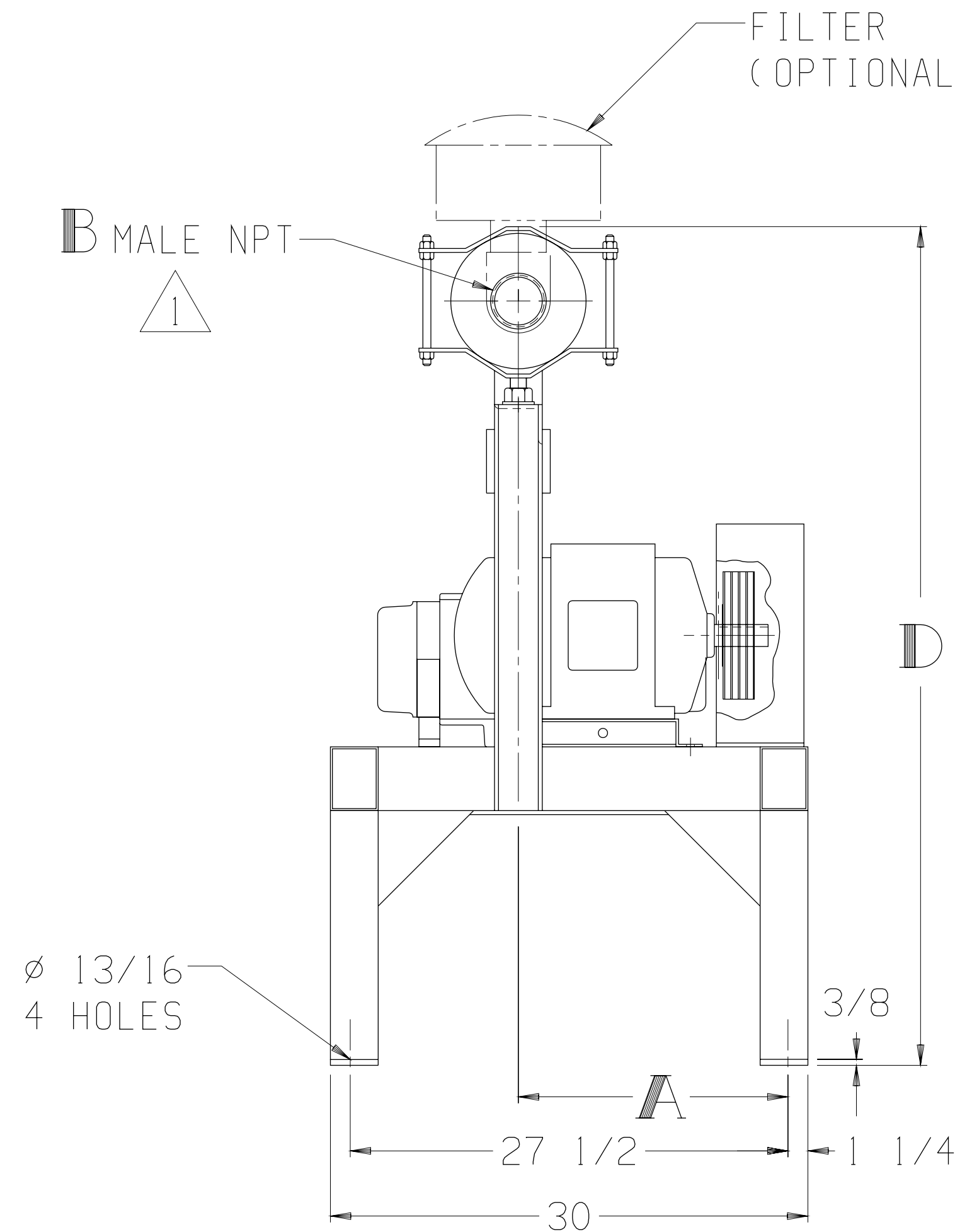
LTR	REVISION	DATE	DR	CH
B	REMOVED 47 SERIES (ECN 4767)	7-24-06	CM	CM

BLOWER	INTAKE SILENCER	B	C	D	E
3206	26561-020	2 NPT	47 3/4	51 1/4	30
	26561-025	2 1/2 NPT	49 1/4	54	34 3/4
3210	26561-020	2 NPT	48 1/4	51 3/4	30
	26561-025	2 1/2 NPT	48 1/4	53	34 3/4
	26561-030	3 NPT	48	52 3/4	41

FILTER (OPTIONAL) ²	F	G
26512-020X	6 1/4	6
26512-025X	10 13/16	8 1/2
26512-030X	11 9/16	8 13/16

BLOWER	A	H	J
3206-46/81	14 15/16	2 1/2 NPT	20 1/2
3210-46/81	16 15/16	3 NPT	20

MOTOR W/SLIDE BASE 1800 RPM, 230/460 V, 3 PH, 60 HZ		
HP	FRAME	TYPE
3	182T	ODP
5	184T	TEFC
7 1/2	213T	TEXP
10	215T	SEVERE DUTY TEFC
15	254T	SEVERE DUTY TEFC
20	256T	SEVERE DUTY TEXP
25	284T	SEVERE DUTY TEXP



THIS OUTLINE APPLIES TO THE BLOWERS AND MOTORS SHOWN IN TABLES

NOTE:

¹ CONNECTION SIZE SHOWN IN TABLE ABOVE IS A STANDARD CONNECTION. WHEN REQUESTED, CONNECTION OTHER THAN STANDARD CAN BE SUPPLIED. IF SO, IT IS A _____ INLET CONNECTION.

² AN "X" IN A PART NUMBER INDICATES NEEDED INFORMATION FOR A COMPLETE PART NUMBER

APPROXIMATE WEIGHT	
BASE, DRIVE, & GUARD	335 LBS
BLOWER	___ LBS
MOTOR & SLIDE BASE	___ LBS
SILENCERS	___ LBS
FILTER	___ LBS
TOTAL WEIGHT	___ LBS



BASE MOUNTED OUTLINE B3200VV2A-IS

SIZE:
C2

DR JS 1-22-91

CH BD 1-23-91