

LTR	REVISION	DATE	DR	CH
A	REVISED DIMS J & K (ECN 3412)	6-28-99	BD	CWM

BLOWER	INTAKE SILENCER	B	C	D	E
3206	26561-020	2 NPT	47 3/4	51 1/4	30
	26561-025	2 1/2 NPT	49 1/4	54	34 3/4
3210	26561-020	2 NPT	48 1/4	51 3/4	30
	26561-025	2 1/2 NPT	48 1/4	53	34 3/4
	26561-030	3 NPT	48	52 3/4	41

BLOWER	DISCHARGE SILENCER	F	G	H
3206	24113-020	2 NPT	7 1/4	34 1/2
	24113-025	2 1/2 NPT	7 3/4	35 3/4
3210	24113-020	2 NPT	8 3/4	34 1/2
	24113-025	2 1/2 NPT	7 3/4	35 3/4
	24113-030	3 NPT	7	48

FILTER (OPTIONAL)	J	K
26512-020	6 1/4	6
26512-025	10 13/16	8 1/2
26512-030	11 9/16	8 13/16

MOTOR W/SLIDE BASE
1800 RPM, 230/460 V, 3 PH, 60 HZ

HP	FRAME	TYPE
3	182T	ODP
5	184T	TEFC
7 1/2	213T	TEXP
10	215T	SEVERE DUTY TEFC
15	254T	SEVERE DUTY TEFC
20	256T	SEVERE DUTY TEXP
25	284T	SEVERE DUTY TEXP

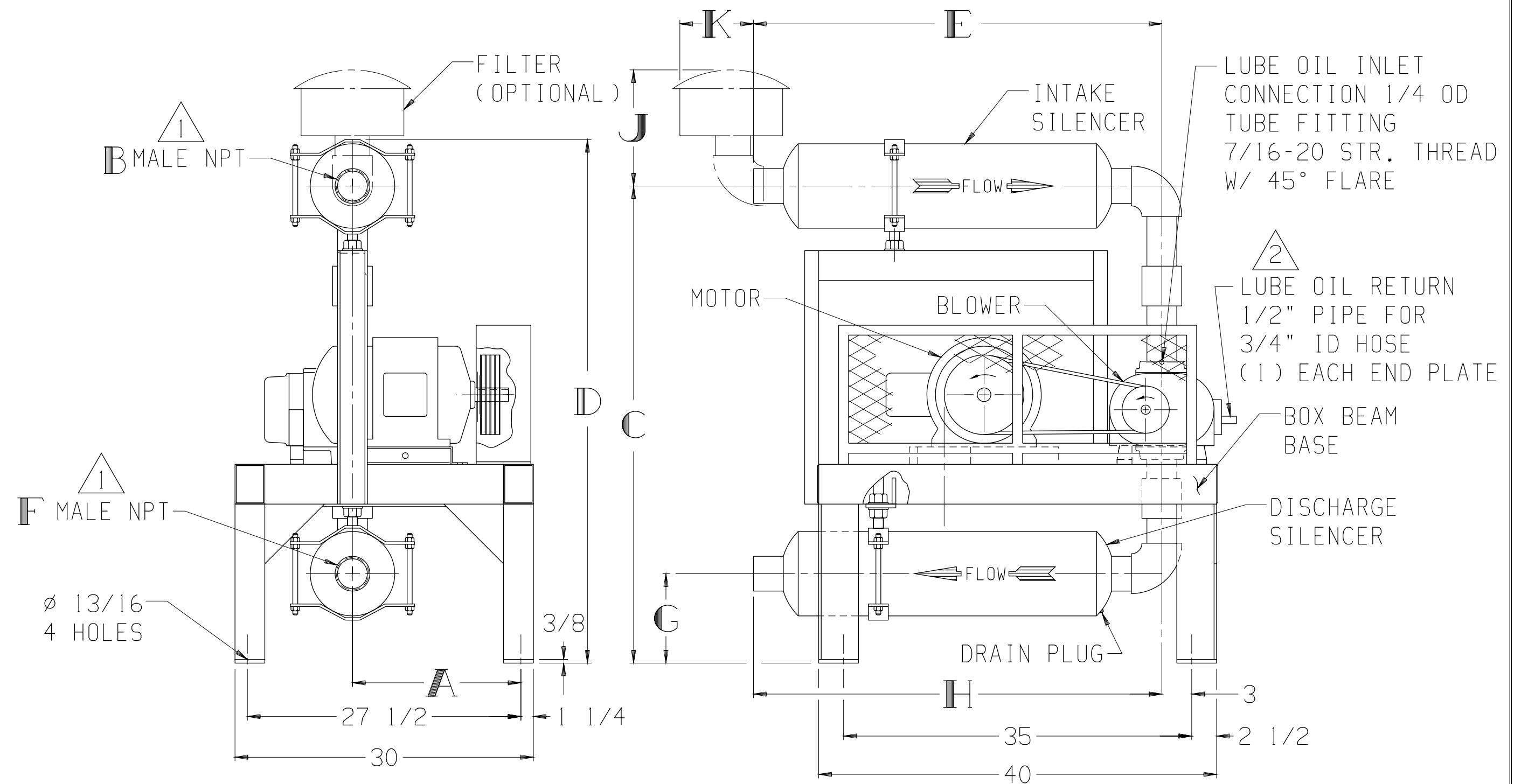
BLOWER	A
3206-84/85	14 15/16
3210-84/85	16 15/16

APPROXIMATE WEIGHT

BASE, DRIVE, & GUARD	335	LBS
BLOWER	___	LBS
MOTOR & SLIDE BASE	___	LBS
SILENCERS	___	LBS
FILTER	___	LBS

TOTAL WEIGHT _____ LBS

- NOTE:
- 1 CONNECTION SIZES SHOWN IN TABLES ABOVE ARE STANDARD CONNECTIONS. WHEN REQUESTED, CONNECTIONS OTHER THAN STANDARD CAN BE SUPPLIED. IF SO, THEY ARE _____ INLET & _____ OUTLET CONNECTIONS.
 - 2 EXTERNAL LUBE SYSTEM MUST BE LOCATED SO THAT SLOPE FROM BLOWER DRAIN TO TANK INLET IS NOT LESS THAN 1'-0" IN 6'-0".



THIS OUTLINE APPLIES TO THE BLOWERS AND MOTORS SHOWN IN TABLES



BASE MOUNTED OUTLINE B3200VV2A-L

SIZE: C2

DR JS 9-19-90

CH CM 10-2-90