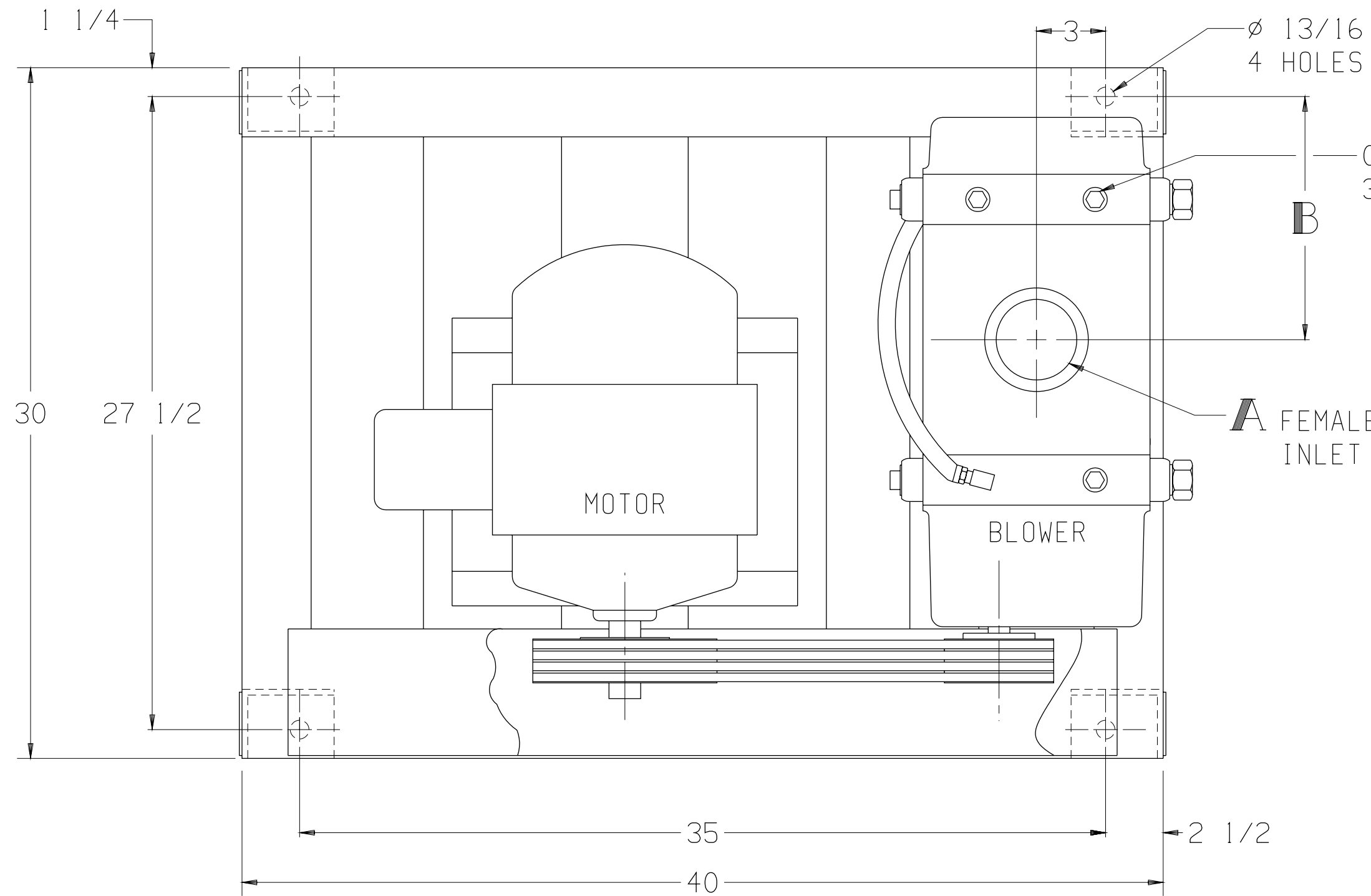


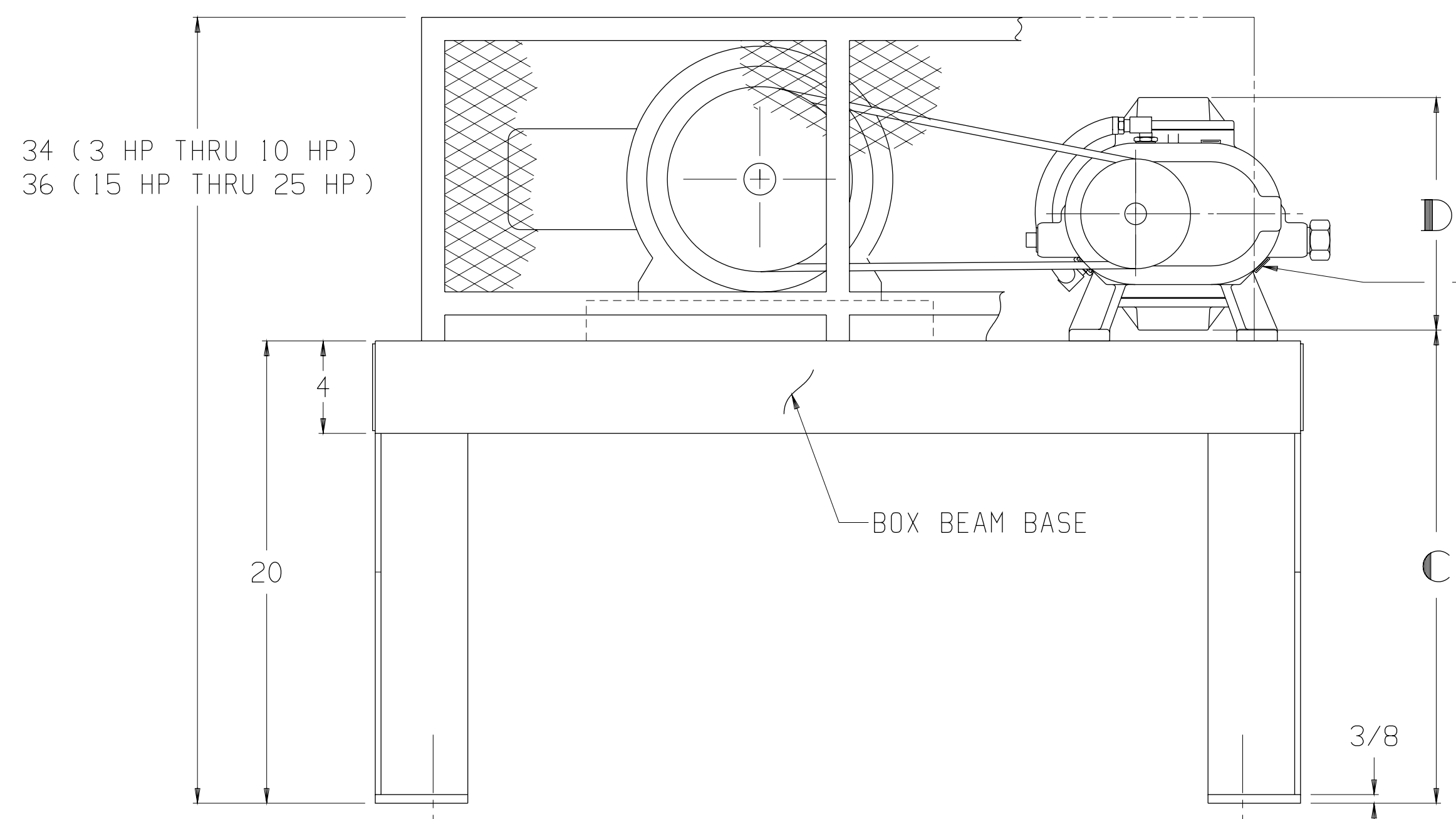
LTR	REVISION	DATE	DR	CH
A	RE-ROUTED WATER HOSE TO LEFT SIDE (ECN 2991)	4-3-97	SM	LB



MOTOR W/SLIDE BASE
1800 RPM, 230/460 V, 3 PH, 60 HZ

HP	FRAME	TYPE
3	182T	ODP
5	184T	TEFC
7 1/2	213T	TEXP
10	215T	SEVERE DUTY TEFC
15	254T	SEVERE DUTY TEFC
20	256T	SEVERE DUTY TEXP
25	284T	SEVERE DUTY TEXP

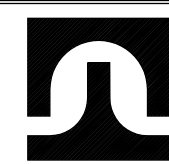
BLOWER	A	B	C	D
3206-46E/81E	2 1/2 NPT	12 9/16	20 1/2	10
3210-46E/81E	3 NPT	10 9/16	20	11



APPROXIMATE WEIGHT

BASE, DRIVE, & GUARD-	256	LBS
BLOWER	-	___ LBS
MOTOR & SLIDE BASE	-	___ LBS
TOTAL WEIGHT	-	___ LBS

THIS OUTLINE APPLIES TO THE BLOWERS AND MOTORS SHOWN IN TABLES



TUTHILL
Vacuum & Blower Systems
© Springfield, Missouri USA

BASE MOUNTED OUTLINE B3200VV2L-E

SIZE: C2	
DR MJ 10-12-89	CH CM 10-16-89