

MOTOR W/SLIDE BASE
1800 RPM, 230/460 V, 3 PH, 60 HZ

HP	FRAME	TYPE
3	182T	ODP
5	184T	TEFC
7 1/2	213T	TEXP
10	215T	SEVERE DUTY TEFC
15	254T	SEVERE DUTY TEXP
20	256T	
25	284T	

BLOWER	A	B	C	D
3206-84/85	2 1/2 NPT	12 9/16	20 1/2	10
3210-84/85	3 NPT	10 9/16	20	11

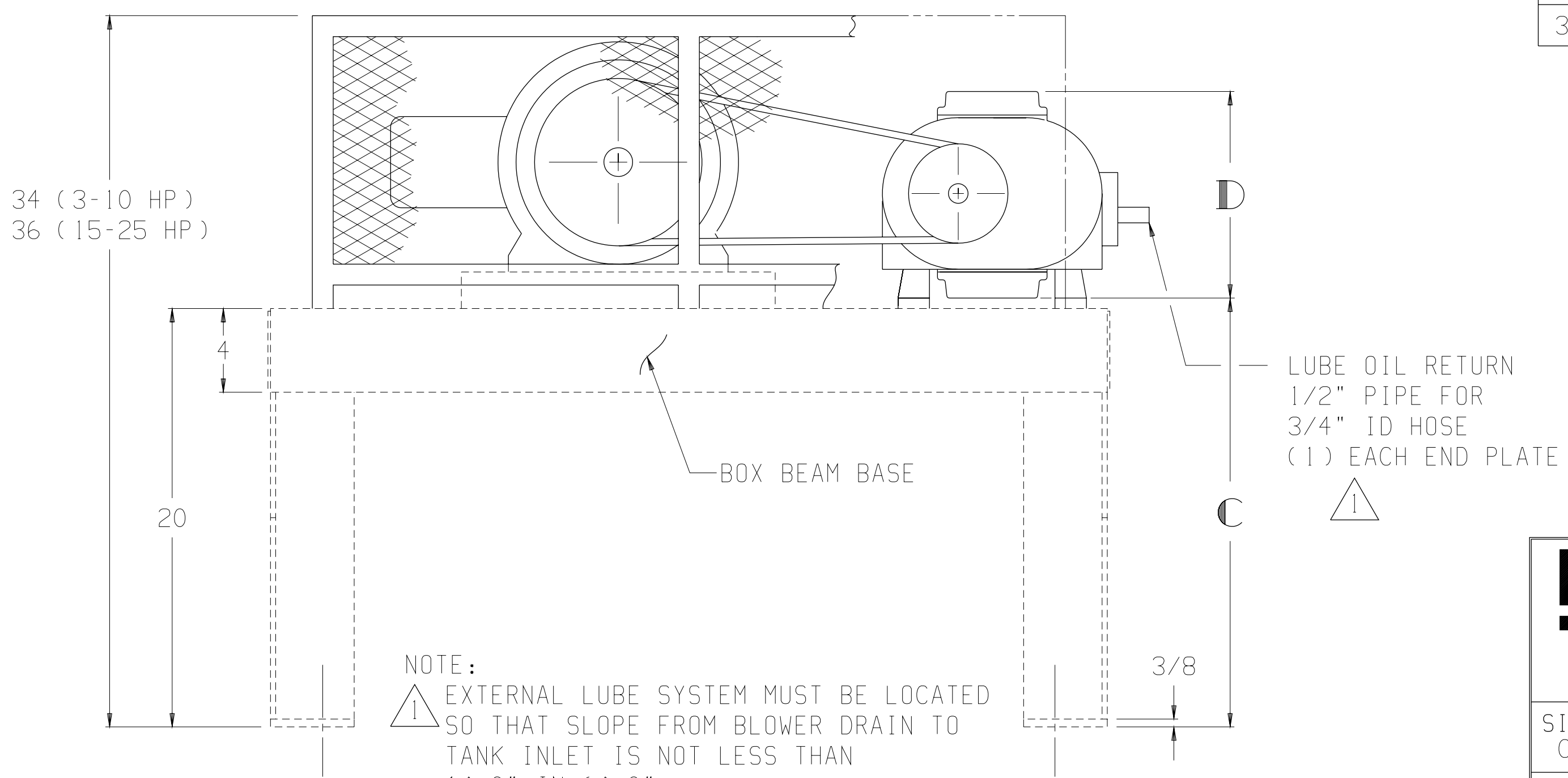
APPROXIMATE WEIGHT

BASE, DRIVE, & GUARD - 256 LBS

BLOWER - _____ LBS

MOTOR & SLIDE BASE - _____ LBS

TOTAL WEIGHT - _____ LBS



THIS OUTLINE APPLIES TO THE BLOWERS & MOTORS SHOWN IN TABLES



BASE MOUNTED OUTLINE B3200VV2L-L

SIZE: C2

DR RA 9-27-88 CH CM 9-28-88

NOTE:
 1 EXTERNAL LUBE SYSTEM MUST BE LOCATED SO THAT SLOPE FROM BLOWER DRAIN TO TANK INLET IS NOT LESS THAN 1'-0" IN 6'-0".