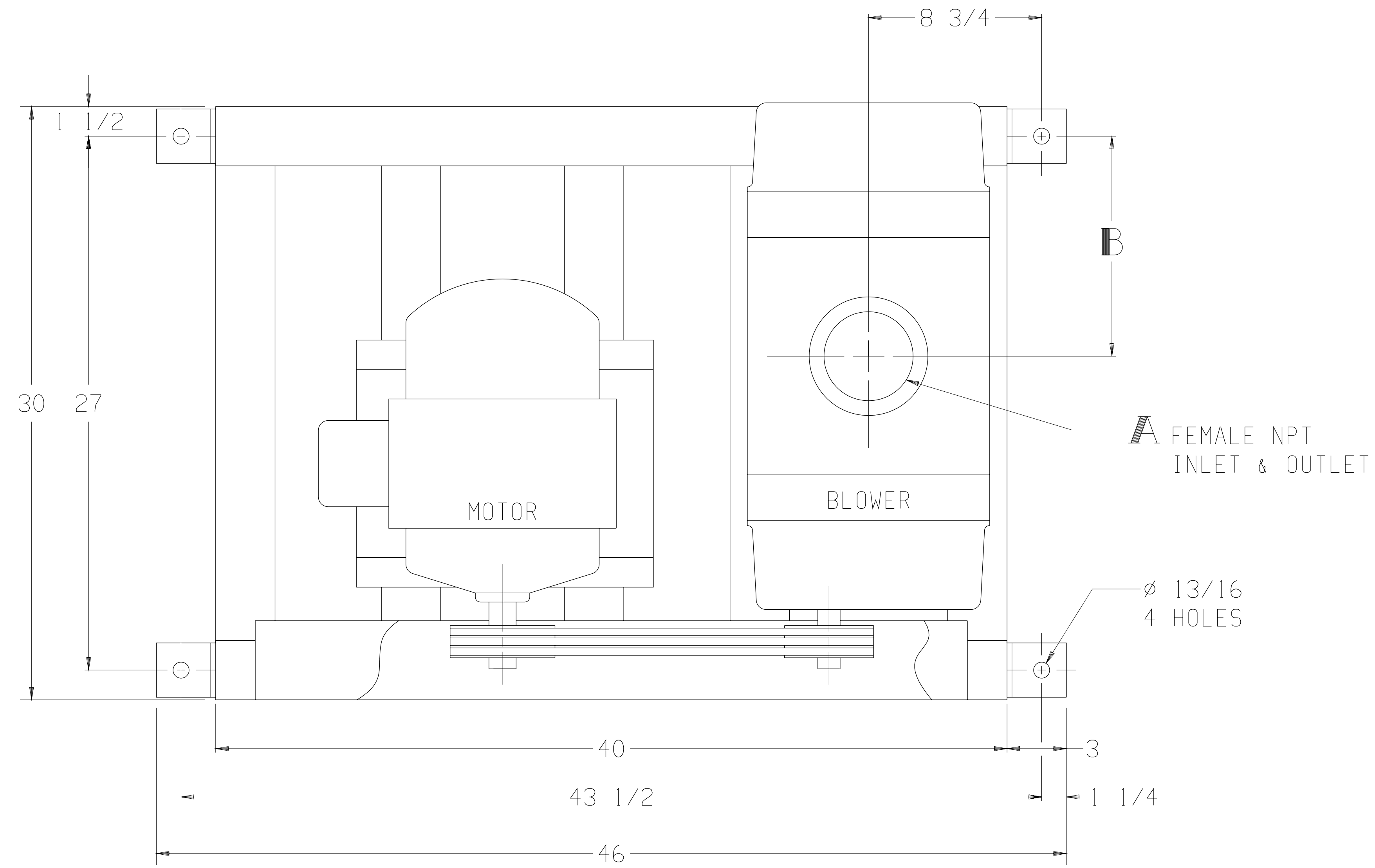


LTR	REVISION	DATE	DR	CH
C	REMOVED 47 SERIES (ECN 4767)	7-27-06	CM	CM

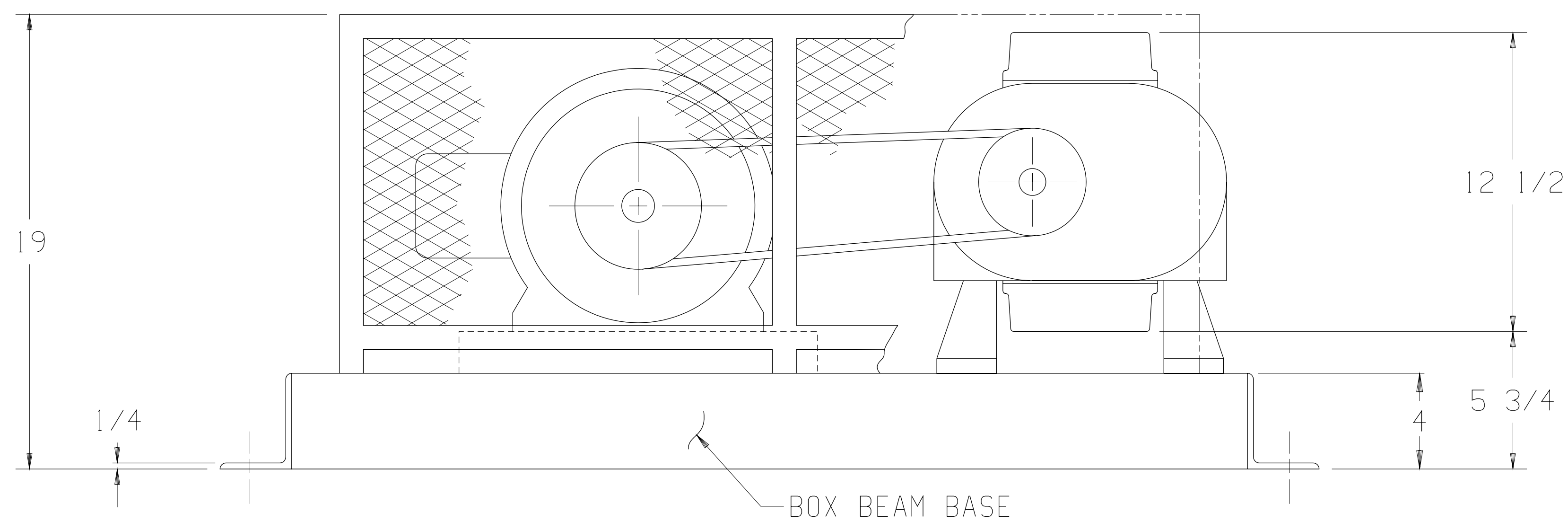


MOTOR W/SLIDE BASE		
1800 RPM, 230/460 V, 3 PH, 60 HZ		
HP	FRAME	TYPE
5	184T	ODP
7½	213T	TEFC
10	215T	TEXP
		SEVERE DUTY TEFC
		SEVERE DUTY TEXP

BLOWER	A	B
4006-46/81	3 NPT	14¼
4009-46/81	3 NPT	12¾
4012-46/81	4 NPT	11¼

APPROXIMATE WEIGHT

BASE, DRIVE, & GUARD-	180	LBS
BLOWER	-	___
MOTOR & SLIDE BASE	-	___
TOTAL WEIGHT	-	___



THIS OUTLINE APPLIES TO THE BLOWERS AND MOTORS SHOWN IN TABLES



BASE MOUNTED OUTLINE B4000VV1

SIZE:
C2

DR LM 7-24-89

CH LB 8-10-89