

BLOWER	INTAKE SILENCER	B	C	D	E	F
4006 & 4009	17300-025	2½ NPT	56	60¾	23	7
	17300-030	3 NPT	56½	61	29	7
4012	17300-025	2½ NPT	56¼	60¾	23	7
	17300-030	3 NPT	56	60¾	29	7
	17300-F40	4 FLG	57¾	63½	35	7½

BLOWER	A
4006-84/85	13
4009-84/85	14½
4012-84/85	16

LTR	REVISION	DATE	DR	CH
A	SILENCERS WERE 29551 & 29552 (ECN 4767)	7-27-06	CM	CM

FILTER (OPTIONAL) ²	L	M
26512-025X	10 ¹³ / ₁₆	8½
26512-030X	11 ⁹ / ₁₆	8 ¹³ / ₁₆
26512-F40X	17 ¹ / ₁₆	13 ⁵ / ₁₆

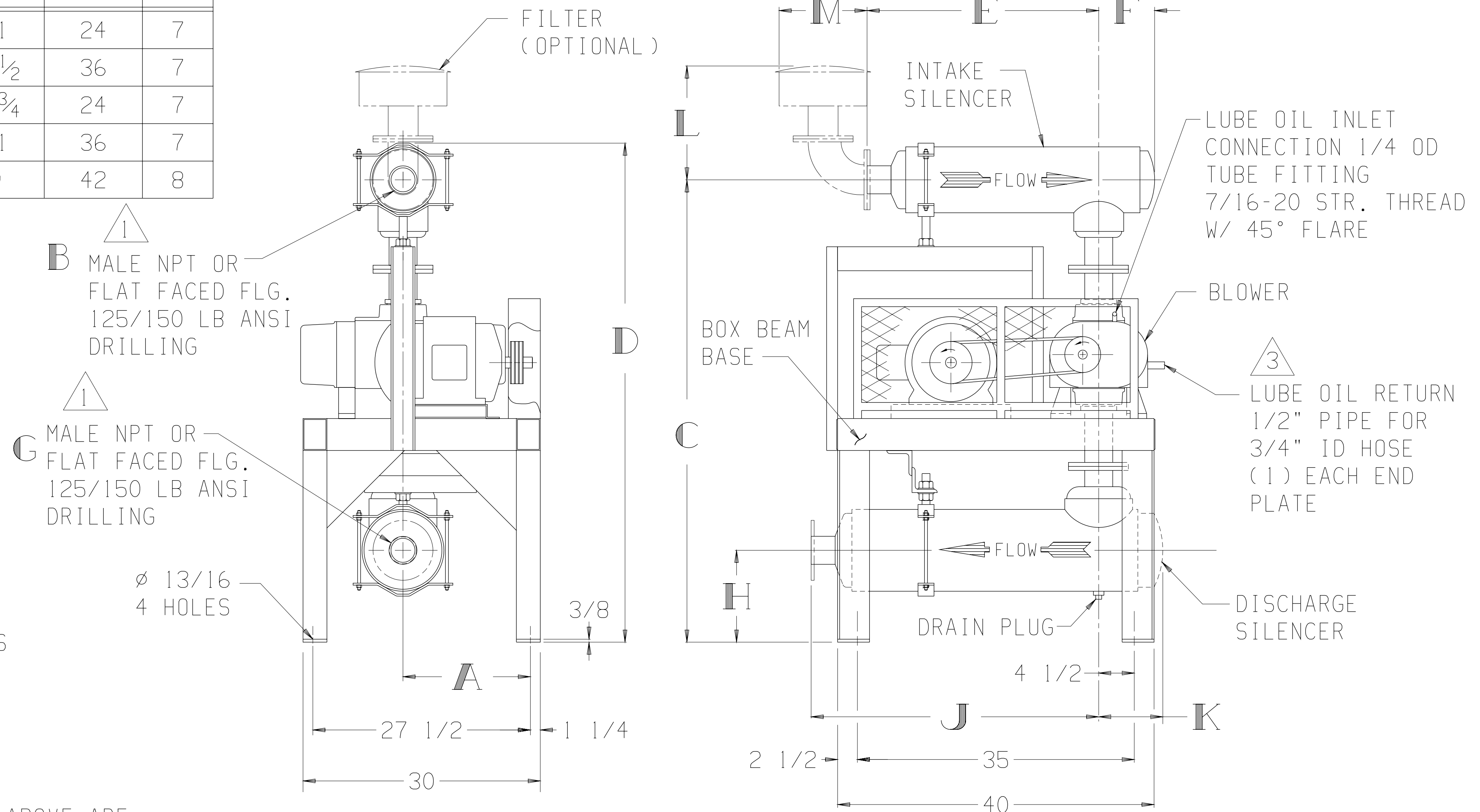
BLOWER	DISCHARGE SILENCER	G	H	J	K
4006 & 4009	17301-025	2½ NPT	11	24	7
	17301-030	3 NPT	11½	36	7
4012	17301-025	2½ NPT	10¾	24	7
	17301-030	3 NPT	11	36	7
	17301-F40	4 FLG	9	42	8

MOTOR W/SLIDE BASE 1800 RPM, 230/460 V, 3 PH, 60 HZ		
HP	FRAME	TYPE
5	184T	ODP
7½	213T	TEFC
10	215T	TEXP
		SEVERE DUTY TEFC
		SEVERE DUTY TEXP

THIS OUTLINE APPLIES TO THE BLOWERS AND MOTORS SHOWN IN TABLES

NOTE:

- ¹ CONNECTION SIZES SHOWN IN TABLES ABOVE ARE STANDARD CONNECTIONS. WHEN REQUESTED, CONNECTIONS OTHER THAN STANDARD CAN BE SUPPLIED. IF SO, THEY ARE _____ INLET & _____ OUTLET CONNECTIONS.
- ² AN "X" IN A PART NUMBER INDICATES NEEDED INFORMATION FOR A COMPLETE PART NUMBER
- ³ EXTERNAL LUBE SYSTEM MUST BE LOCATED SO THAT SLOPE FROM BLOWER DRAIN TO TANK INLET IS NOT LESS THAN 1'-0" IN 6'-0".



APPROXIMATE WEIGHT

BASE, DRIVE, & GUARD-	292	LBS
BLOWER	-	___
MOTOR & SLIDE BASE	-	___
SILENCERS	-	___
FILTER	-	___
TOTAL WEIGHT	-	___



BASE MOUNTED OUTLINE B4000VVA-L

SIZE:
C2

DR JS 1-9-92

CH LB 1-9-92