

BLOWER	INTAKE SILENCER	B	C	D	E	F
4006 & 4009	17300-025	2 1/2 NPT	56 7/8	61 7/16	23	7
	17300-030	3 NPT	57 5/16	61 7/8	29	7
4012	17300-025	2 1/2 NPT	57	61 9/16	23	7
	17300-030	3 NPT	56 15/16	61 1/2	29	7
	17300-F40	4 FLG	58 1/16	64 7/16	35	7 1/2

BLOWER	A	G
4006-46/81	14 7/16	3 NPT
4009-46/81	15 15/16	3 NPT
4012-46/81	17 7/16	4 NPT

LTR	REVISION	DATE	DR	CH
C	1) SILENCERS WERE 29551; 2) REMOVED 47 SERIES (ECN 4767)	7-28-06	CM	CM

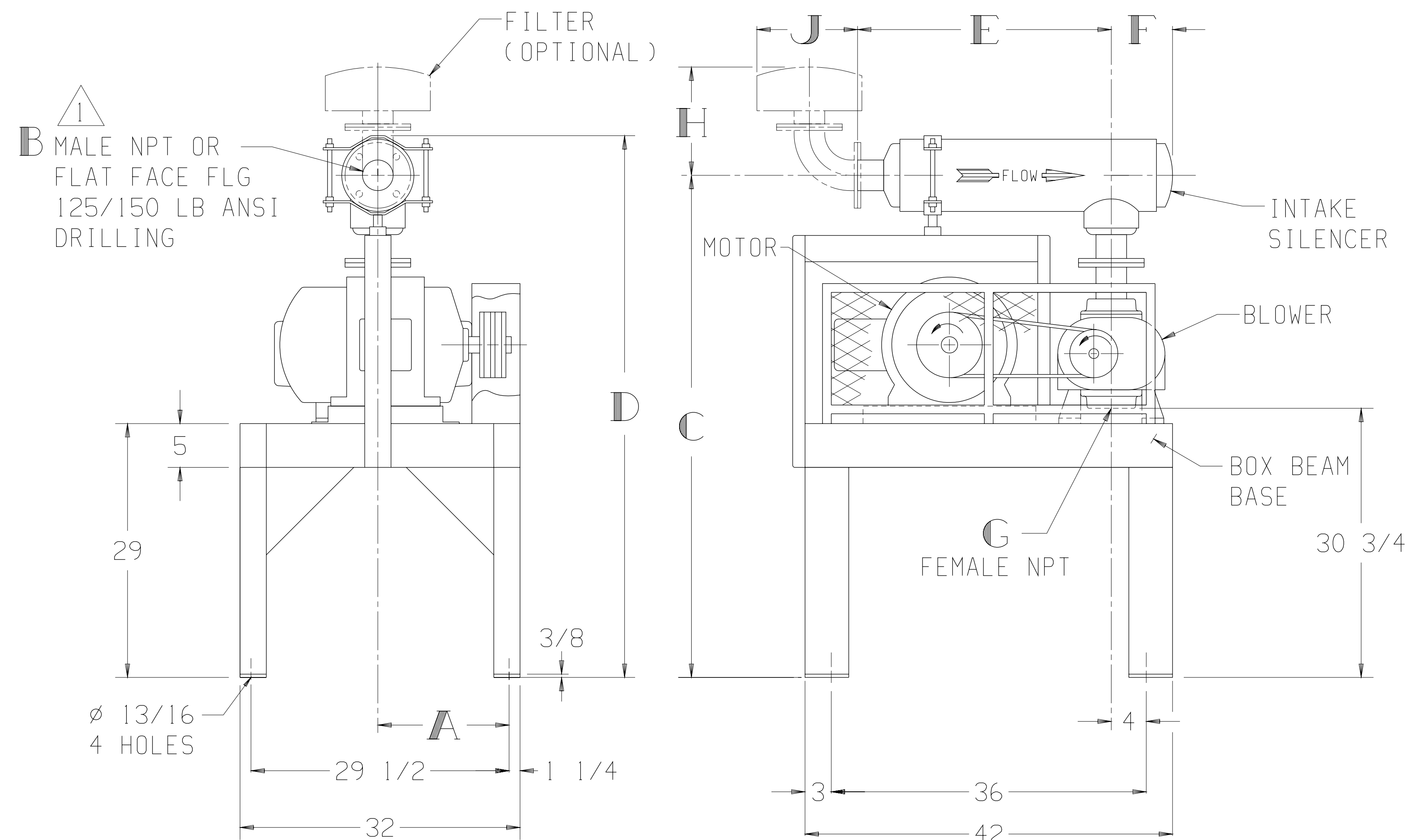
FILTER (OPTIONAL) <sup>2</sup>	H	J
26512-025	10 13/16	8 1/2
26512-030	11 9/16	8 13/16
26512-F40	17 1/16	13 5/16

MOTOR W/SLIDE BASE 1800 RPM, 230/460 V, 3 PH, 60 HZ		
HP	FRAME	TYPE
15	254T	ODP
20	256T	TEFC
25	284T	TEXP
30	286T	SEVERE DUTY TEFC
		SEVERE DUTY TEXP

THIS OUTLINE APPLIES TO THE BLOWERS AND MOTORS SHOWN IN TABLES

APPROXIMATE WEIGHT

BASE, DRIVE & GUARD-	330	LBS
BLOWER	-	___ LBS
MOTOR & S.B.	-	___ LBS
SILENCER	-	___ LBS
FILTER	-	___ LBS
TOTAL WEIGHT		- ___ LBS



NOTE:

<sup>1</sup> CONNECTION SIZE SHOWN IN TABLE ABOVE IS A STANDARD CONNECTION. WHEN REQUESTED, A CONNECTION OTHER THAN STANDARD CAN BE SUPPLIED. IF SO, IT IS \_\_\_\_\_ INLET CONNECTION.

<sup>2</sup> AN "X" IN A PART NUMBER INDICATES NEEDED INFORMATION FOR A COMPLETE PART NUMBER

**TUTHILL**  
Vacuum & Blower Systems  
© Springfield, Missouri USA

BASE MOUNTED OUTLINE B4000VV2A-IS

SIZE: C2

DR CM 3-6-91 CH CM 3-6-91