

LTR	REVISION	DATE	DR	CH
G	1) SILENCERS WERE 29551 & 29552: 2) REMOVED 47 SERIES (ECN 4767)	7-27-06	CM	CM

BLOWER	INTAKE SILENCER	B	C	D	E	F
4006 & 4009	17300-025	2 1/2 NPT	56 7/8	61 7/16	23	7
	17300-030	3 NPT	57 5/16	61 7/8	29	7
4012	17300-025	2 1/2 NPT	57	61 9/16	23	7
	17300-030	3 NPT	56 15/16	61 1/2	29	7
	17300-F40	4 FLG	58 1/16	64 7/16	35	7 1/2

BLOWER	A
4006-46/81	14 7/16
4009-46/81	15 15/16
4012-46/81	17 7/16

FILTER (OPTIONAL) ²	L	M
26512-025X	10 13/16	8 1/2
26512-030X	11 9/16	8 13/16
26512-F40X	17 1/16	13 5/16

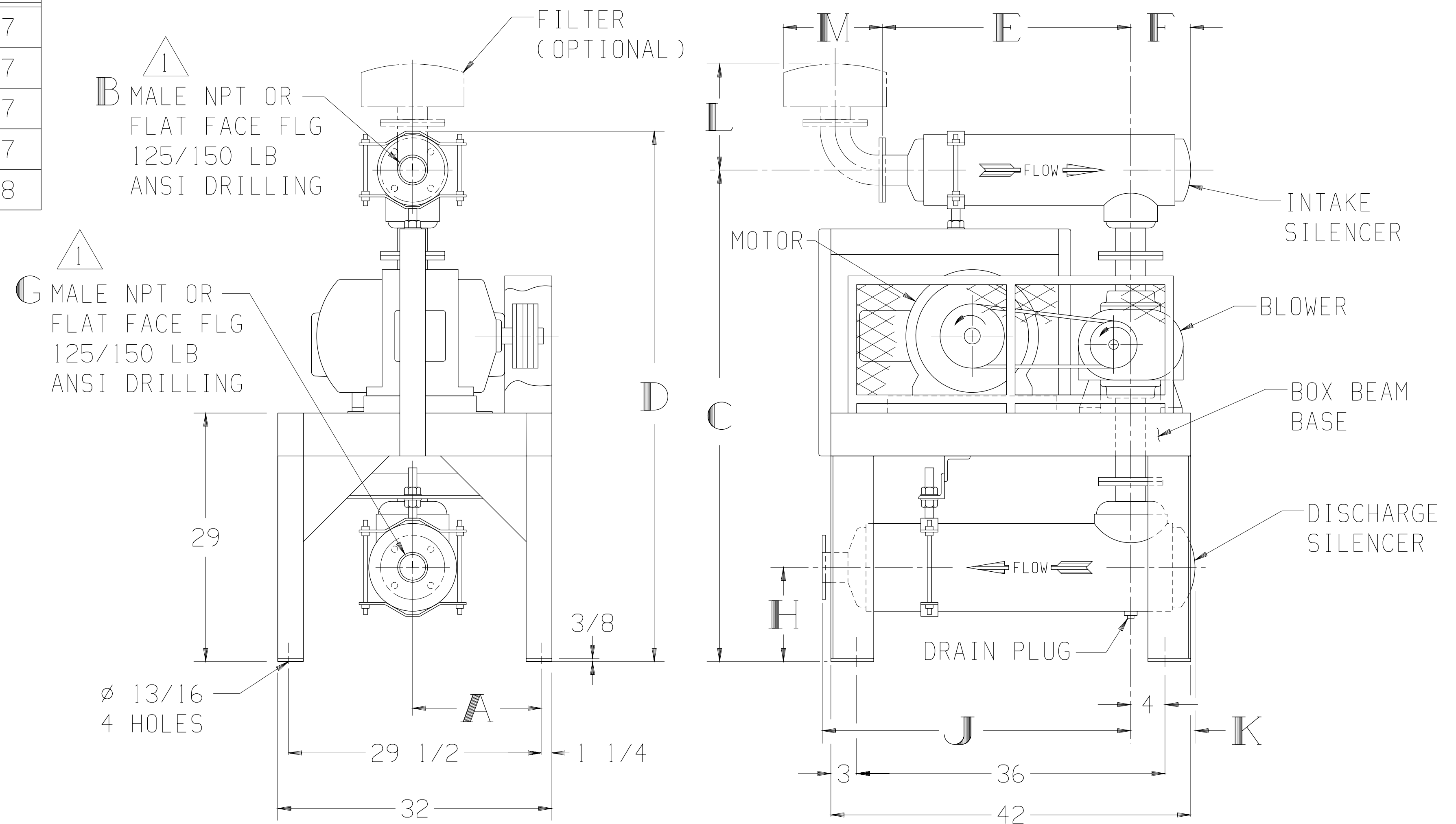
BLOWER	DISCHARGE SILENCER	G	H	J	K
4006 & 4009	17301-025	2 1/2 NPT	11 1/8	24	7
	17301-030	3 NPT	11 11/16	36	7
4012	17301-025	2 1/2 NPT	11	24	7
	17301-030	3 NPT	11 1/16	36	7
	17301-F40	4 FLG	9	42	8

MOTOR W/SLIDE BASE 1800 RPM, 230/460 V, 3 PH, 60 HZ		
HP	FRAME	TYPE
15	254T	ODP
20	256T	TEFC
25	284T	TEXP
30	286T	SEVERE DUTY TEFC
		SEVERE DUTY TEXP

APPROXIMATE WEIGHT

BASE, DRIVE & GUARD-	330	LBS
BLOWER	-	___ LBS
MOTOR & S.B.	-	___ LBS
SILENCERS	-	___ LBS
FILTER	-	___ LBS
<hr/>		
TOTAL WEIGHT	-	___ LBS

THIS OUTLINE APPLIES TO THE BLOWERS AND MOTORS SHOWN IN TABLES



NOTE:

¹ CONNECTION SIZES SHOWN IN TABLES ABOVE ARE STANDARD CONNECTIONS. WHEN REQUESTED, CONNECTIONS OTHER THAN STANDARD CAN BE SUPPLIED. IF SO, THEY ARE _____ INLET & _____ OUTLET CONNECTIONS.

² AN "X" IN A PART NUMBER INDICATES NEEDED INFORMATION FOR A COMPLETE PART NUMBER



BASE MOUNTED OUTLINE B4000VV2A

SIZE:
C2

DR A0 5-15-89

CH A0 5-18-89